



Технические характеристики

По вопросам продаж и поддержки обращайтесь:

Алматы (7273)495-231	Казань (843)206-01-48	Новокузнецк (3843)20-46-81	Смоленск (4812)29-41-54
Архангельск (8182)63-90-72	Калининград (4012)72-03-81	Новосибирск (383)227-86-73	Сочи (862)225-72-31
Астрахань (8512)99-46-04	Калуга (4842)92-23-67	Омск (3812)21-46-40	Ставрополь (8652)20-65-13
Барнаул (3852)73-04-60	Кемерово (3842)65-04-62	Орел (4862)44-53-42	Сургут (3462)77-98-35
Белгород (4722)40-23-64	Киров (8332)68-02-04	Оренбург (3532)37-68-04	Тверь (4822)63-31-35
Брянск (4832)59-03-52	Краснодар (861)203-40-90	Пенза (8412)22-31-16	Томск (3822)98-41-53
Владивосток (423)249-28-31	Красноярск (391)204-63-61	Пермь (342)205-81-47	Тула (4872)74-02-29
Волгоград (844)278-03-48	Курск (4712)77-13-04	Ростов-на-Дону (863)308-18-15	Тюмень (3452)66-21-18
Вологда (8172)26-41-59	Липецк (4742)52-20-81	Рязань (4912)46-61-64	Ульяновск (8422)24-23-59
Воронеж (473)204-51-73	Магнитогорск (3519)55-03-13	Самара (846)206-03-16	Уфа (347)229-48-12
Екатеринбург (343)384-55-89	Москва (495)268-04-70	Санкт-Петербург (812)309-46-40	Хабаровск (4212)92-98-04
Иваново (4932)77-34-06	Мурманск (8152)59-64-93	Саратов (845)249-38-78	Челябинск (351)202-03-61
Ижевск (3412)26-03-58	Набережные Челны (8552)20-53-41	Севастополь (8692)22-31-93	Череповец (8202)49-02-64
Иркутск (395)279-98-46	Нижний Новгород (831)429-08-12	Симферополь (3652)67-13-56	Ярославль (4852)69-52-93
Россия (495)268-04-70	Киргизия (996)312-96-26-47	Казахстан (7172)727-132	

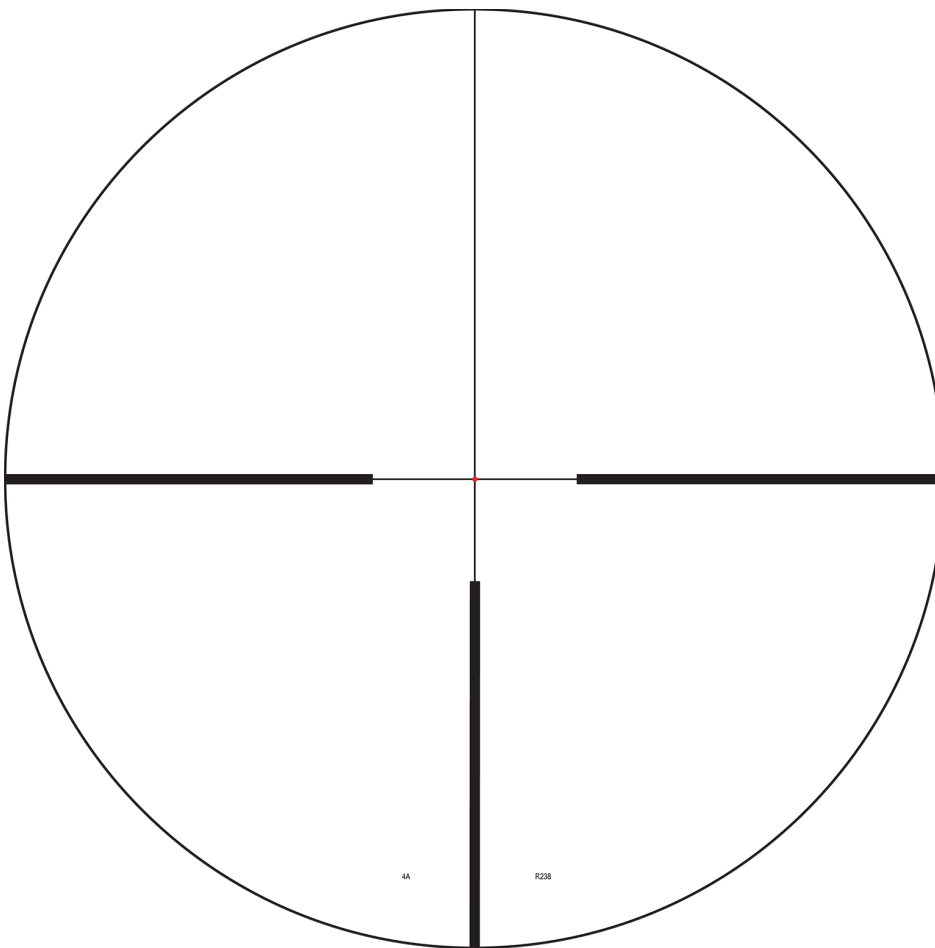
4A - Non Illuminated (Europe Only)

SKU: 4A - Non Illuminated (Europe Only)

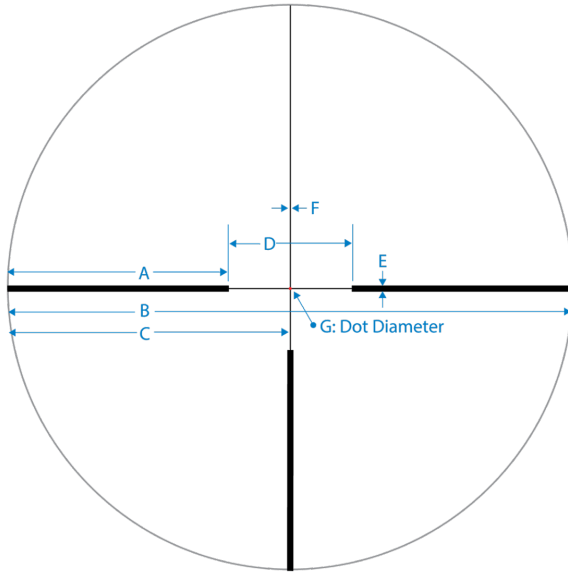
Posts at the 3, 6 and 9 o'clock positions bring the eye quickly to the target, but unlike many heavy, bulky plex-style reticles, the 4A provides an exceptionally clean, uncluttered field of view. This makes it ideal for running game, as well as on stationary targets, virtually anywhere in the world. (Not available in North America)

It provides fast target acquisition at closer distances, while fine center crosshairs allow precise shot placement on the smallest targets at extended ranges.

The Nightforce™ 4A is available in illuminated and non-illuminated versions, depending upon which SHV™ riflescope you choose. It will serve you well wherever your hunting travels take you.



Specifications



	3-10x42*	4-14x56	5-20x56
A	50.5MOA	36.0MOA	18.8MOA
B	126.0MOA	92.0MOA	57.6MOA
C	75.55MOA	46.0MOA	38.8MOA
D	25.0MOA	20.0MOA	20.0MOA
E	1.0MOA	1.0MOA	0.75MOA
F	0.2MOA	0.16MOA	0.14MOA
G	0.50MOA	0.50MOA	0.50MOA

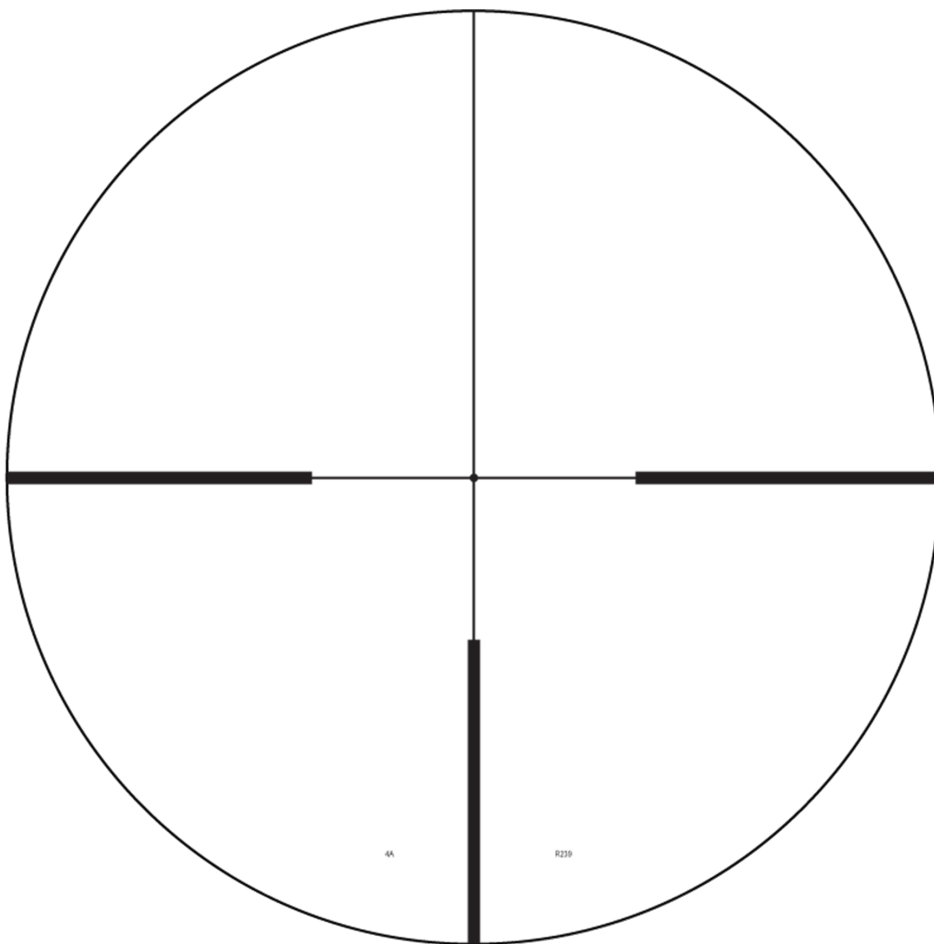
4A (Europe Only)

SKU: 4A (Europe Only)

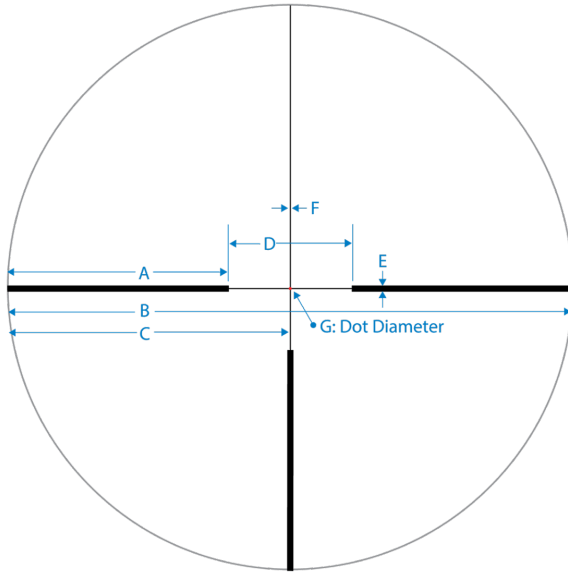
Posts at the 3, 6 and 9 o'clock positions bring the eye quickly to the target, but unlike many heavy, bulky plex-style reticles, the 4A provides an exceptionally clean, uncluttered field of view. This makes it ideal for running game, as well as on stationary targets, virtually anywhere in the world. (Not available in North America)

It provides fast target acquisition at closer distances, while fine center crosshairs allow precise shot placement on the smallest targets at extended ranges.

The Nightforce™ 4A is available in illuminated and non-illuminated versions, depending upon which SHV™ riflescope you choose. It will serve you well wherever your hunting travels take you.



Specifications



	3-10x42*	4-14x56	5-20x56
A	50.5MOA	36.0MOA	18.8MOA
B	126.0MOA	92.0MOA	57.6MOA
C	75.55MOA	46.0MOA	38.8MOA
D	25.0MOA	20.0MOA	20.0MOA
E	1.0MOA	1.0MOA	0.75MOA
F	0.2MOA	0.16MOA	0.14MOA
G	0.50MOA	0.50MOA	0.50MOA

RETICLES CTR-2/3™ • DDR-2™ • FCR-1™

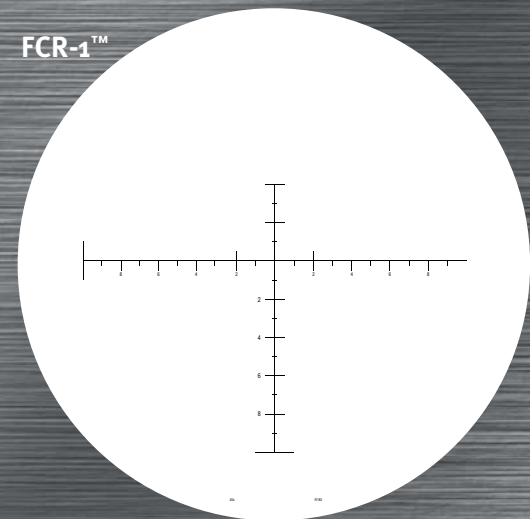
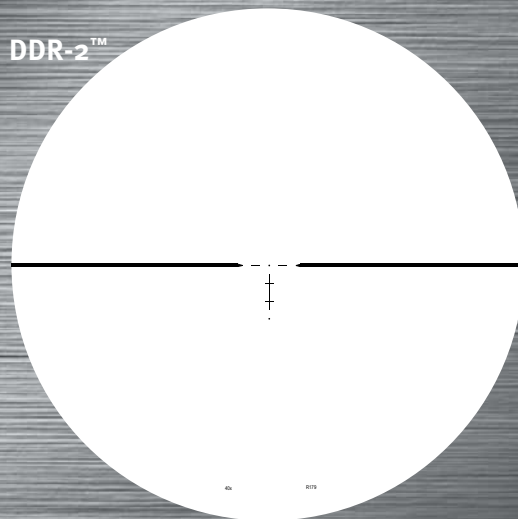
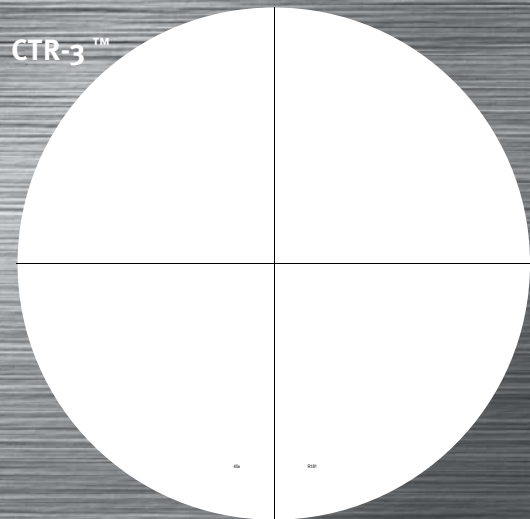
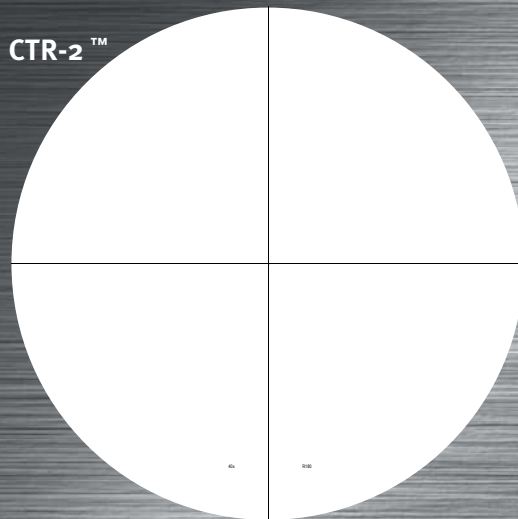
Available in:

Nightforce Competition™ 15-55 x 42 (all)
Competition™ Fixed 42 x 44 (CTR-2, CTR-3 only)

Designed for maximum precision at extreme ranges
Extremely fine subtensions will not obscure target

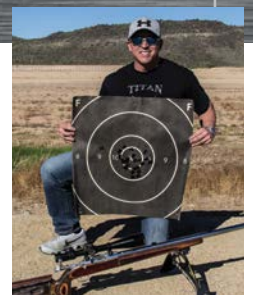
Applications:

Competitive/target shooting



Every four years, Irish and American shooters gather to maintain a tradition that goes back over 100 years. The two national teams got together in 2015 to compete for the Creedmoor Cup. The US team led a victorious campaign at the Midlands National Shooting Centre in Tullamore, Ireland, and the overwhelming rifle scope of choice was Nightforce.

Jade Delcambre shot a new 1000-yard F/TR NRA national record with a score of 200-13X during the 2015 F-Class National Championships, using a Nightforce Competition™ 15-55 x 52.



RETICLES

These non-illuminated, second focal plane reticles were specifically created to maximize the remarkable potential and superb optical performance of our Competition™ family of riflescopes. The competitive and serious target shooter will enjoy uncluttered views and ultimate precision at even the longest ranges.

Please note: Nightforce Competition™ 15-55 x 42 riflescopes are offered with all reticles shown. Nightforce Competition™ Fixed 42 x 44 riflescopes are offered with CTR-2 and CTR-3 reticles only.

CTR-2™ CTR-3™

Extremely fine .016 MOA crosshairs

CTR-2 features a .095 MOA center dot

CTR-3 has no center dot

Reticle subtensions in MOA: CTR-2, CTR-3

15-55x (@40x) Fixed 42x (@42x)

A	28.8	32.89
B	0.016	0.016
C	0.095	0.090 CTR-2 only

FCR-1™

Extremely fine .016 MOA crosshairs with 1 MOA markings along the vertical and horizontal lines.

Reticle subtensions in MOA: FCR-1™ (@40x)

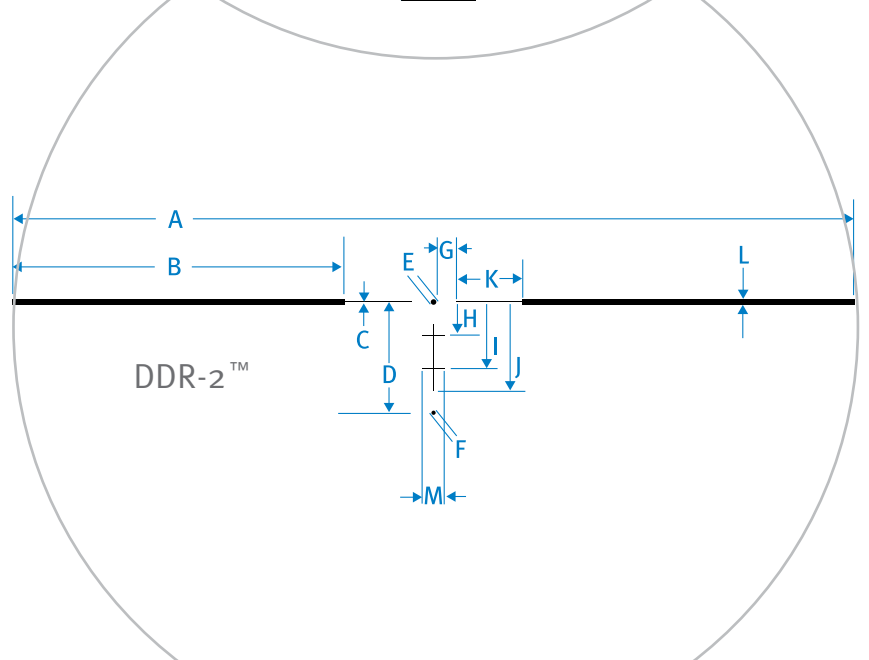
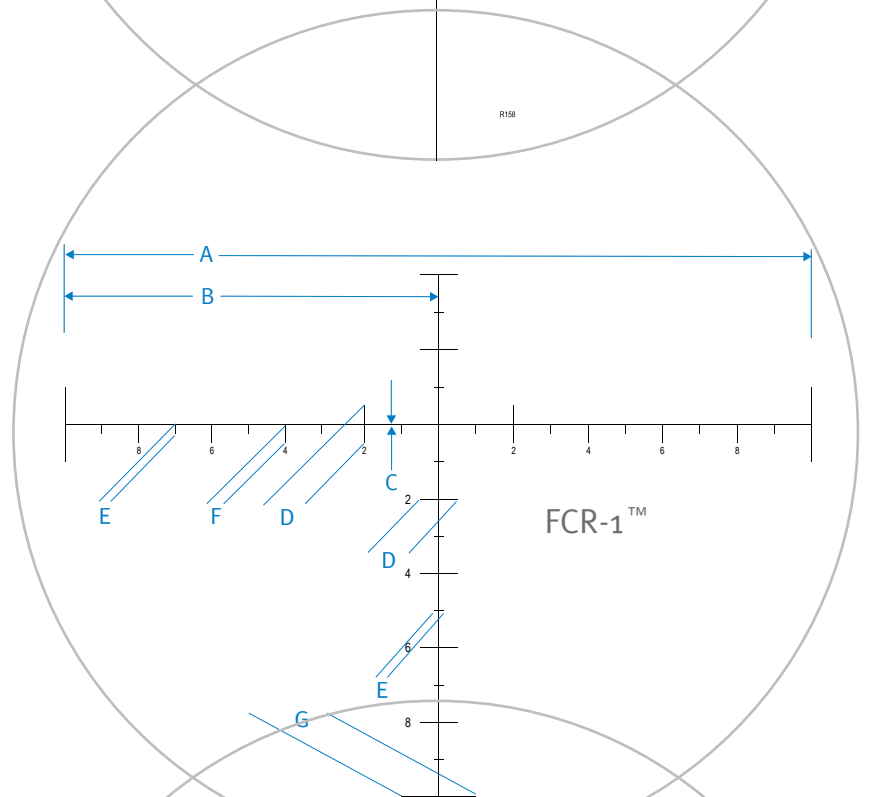
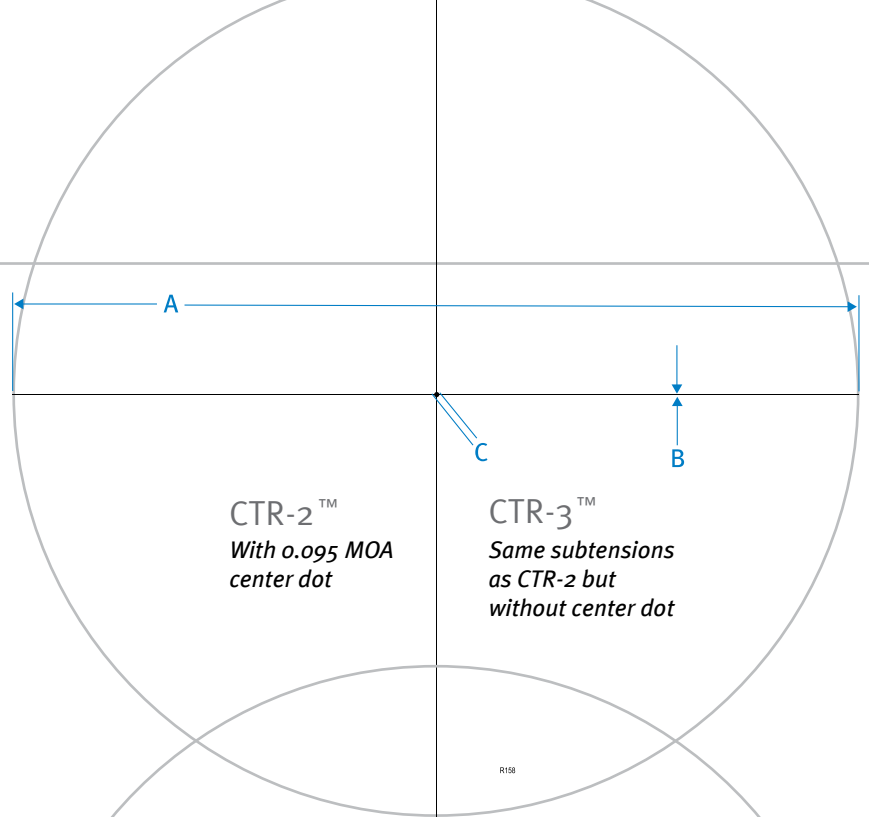
A	20
B	10
C	0.016
D	1.375
E	0.340
F	0.6875
G	2.75

DDR-2™

A double-dot reticle with multiple holdover points and a .095 MOA center dot.

Reticle subtensions in MOA: DDR-2™ (@40x)

A	28	H	1.0
B	12.9	I	2.0
C	0.016	J	2.5
D	3.0	K	1.5
E	0.095	L	0.172
F	0.5	M	0.5
G	0.5		



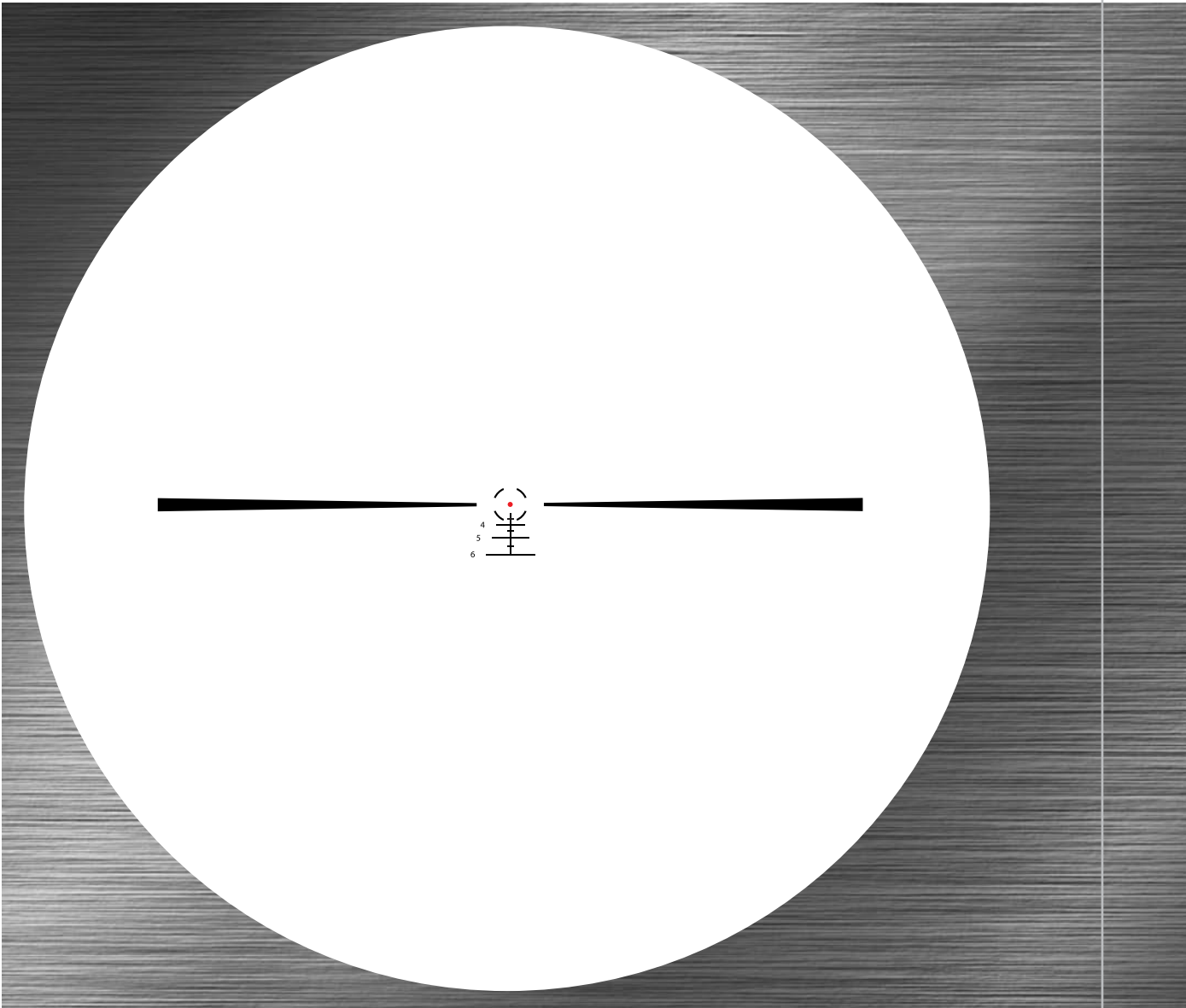
RETICLEFC-3G™



Available in:

Nightforce 1-4 x 24 NXS riflescopes

Unobstructed view of target at all distance
Outstanding performance at both near and extended ranges
Extremely fast and precise



Red indicates illuminated portion of reticle

Reticle design parameters:

Altitude: 1250 feet

Temperature: 75 deg F

Humidity: 50%

Sight height above bore: 2.5 inches

Applications:

3 Gun competition

Field combat

Law enforcement

Military

Big/dangerous game hunting

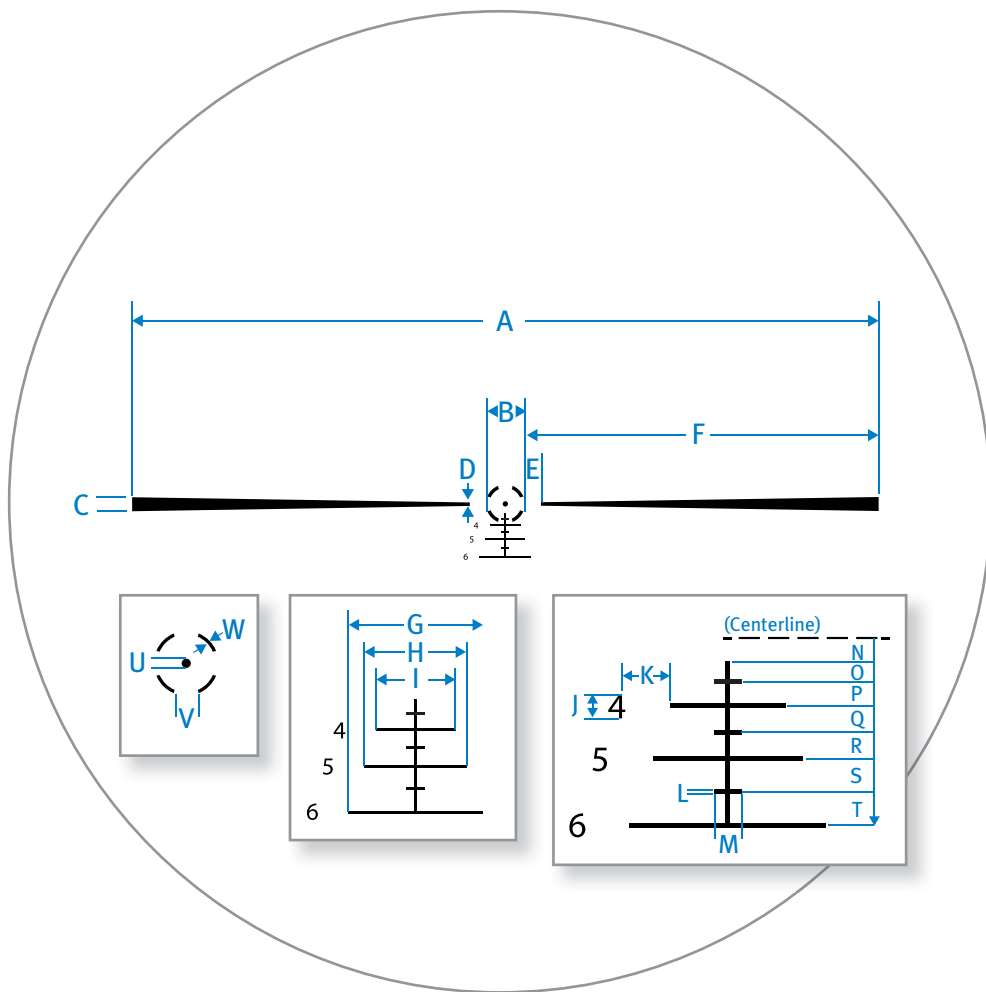
RETICLE FC-3G™

Few reticles can perform equally well at both extended distance and close engagements, but the Nightforce FC-3G™ handles both tasks brilliantly.

Its clean, uncluttered design will not obscure the target at any range, yet it provides a wealth of information. The FC-3G™ allows a quick, intuitive response in CQB situations, as well as when hunting big or dangerous game. The vertical and horizontal stadia under the 10 MOA segmented center circle provide precise holdover compensation points at longer ranges. This combination results in a reticle of unprecedented versatility.

Subtension measurements in MOA (Minute of Angle) allow the user to formulate their own drop chart in conjunction with a ballistic program, as well as calculate lead holds and estimate range. The FC-3G™ excels in particular with multiple popular .223 Rem/5.56 NATO and .308 Win/7.62 NATO loads that were used to average and formulate the drop subtensions based on a 200-yard zero. The horizontal markings indicate 10 mph windage holds at their respective tips. The illuminated 1.5 MOA center dot provides a precise aiming point in diminished light.

- Exceptionally fast target acquisition at near and extended ranges
- Precise holdover compensation to 600 yards
- Illumination standard (center dot only)



Reticle subtensions			
A	200 MOA	M	2.0 MOA
B	10 MOA	N	2.69 MOA
C	4.0 MOA	O	4.27 MOA
D	1.0 MOA	P	6.04 MOA
E	5.0 MOA	Q	8.0 MOA
F	95 MOA	R	10.06 MOA
G	7.29 MOA	S	12.42 MOA
H	5.65 MOA	T	14.96 MOA
I	4.29 MOA	U	1.5 MOA
J	2.0 MOA	V	4.0 MOA
K	3.5 MOA	W	1.0 MOA
L	0.3 MOA		

Hunters can use the zero of their choice to aid in creating their own drop chart that will closely coincide with the provided stadia lines. This can extend the range of cartridges such as the .375 H&H and .30-06 Sprg. for big and dangerous game hunting.

Drop compensation markings of the FC-3G™ were created for near-perfect calibration with the following loads:

.223 Rem/5.56 NATO

- 55 FMJ at 3025 fps
- 55 Hornady VMax at 3025 fps
- 55 Nosler Ballistic Tip at 2925 fps
- 60 Nosler Ballistic Tip at 2900 fps
- 69 Nosler Custom Competition and Sierra Match King at 2800 fps
- 75 Hornady BTHP and 77 Sierra Match King at 2635 fps

All velocities were achieved from carbines with 16-inch barrels.

.308 Win/7.62 NATO

- 110 Hornady VMAX at 2835 fps
- 155 Hornady AMAX at 2550 fps
- 125 Nosler Ballistic Tip at 2650 fps
- 155 Sierra Match King at 2550 fps
- 168 Sierra Match King at 2500 fps

RETICLEFORCEPLEX™



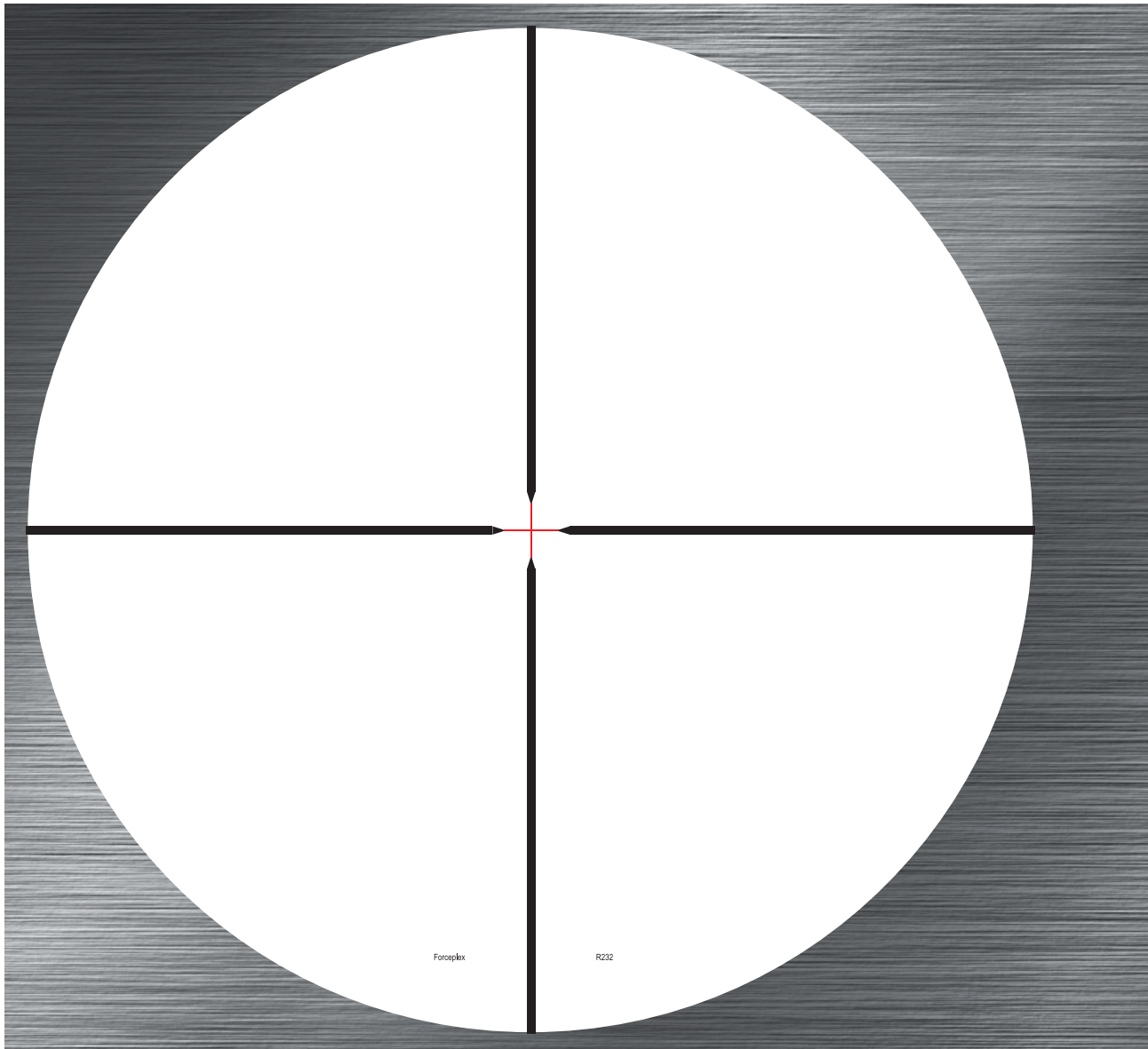
Available in:

Second focal plane Nightforce™ SHV™ riflescopes

FORCEPLEX™ design quickly brings your eye to target
0.125 MOA thick center crosshair provides precise aiming point

Excellent in low light situations

Outstanding performance for both quick, close-in shots and at long ranges



Red indicates illuminated portion of reticle

Applications:

General hunting
Varmint shooting
Target shooting

RETICLEFORCEPLEX™

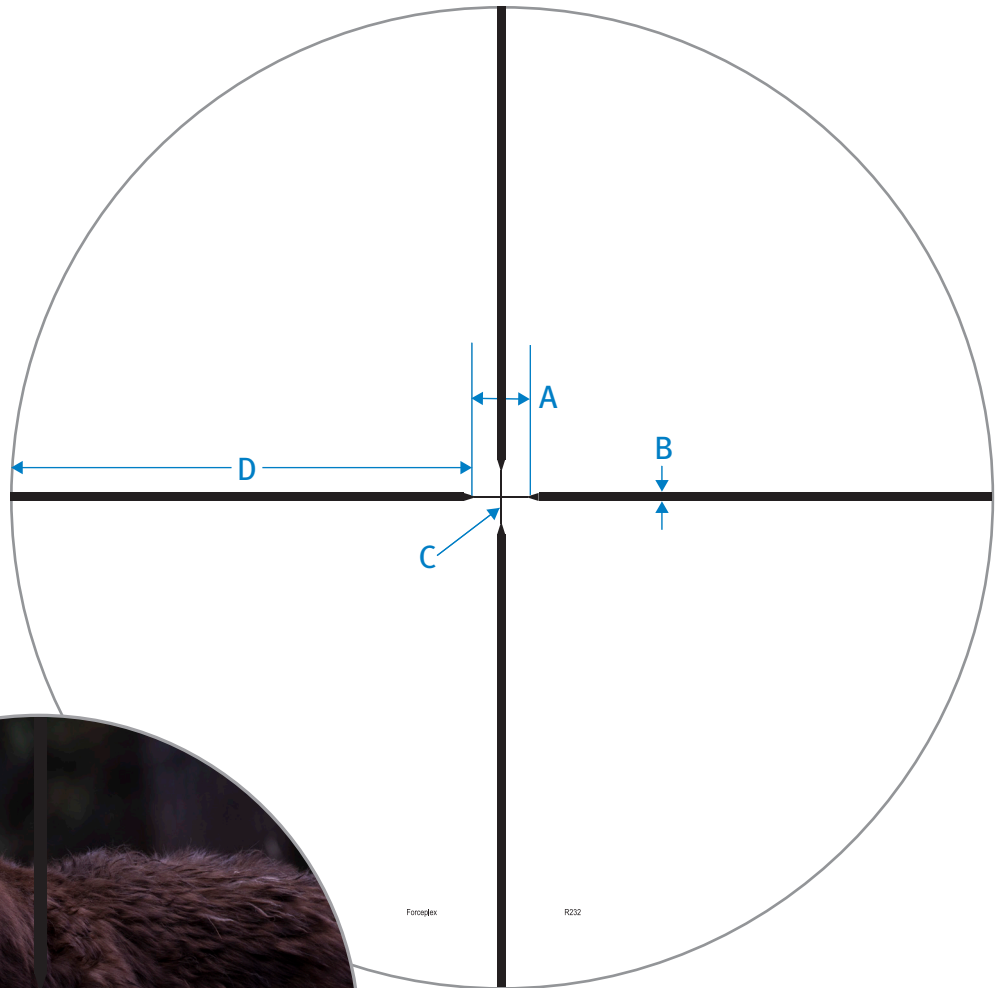
The Nightforce Forceplex™ reticle was created by and for hunters. Designed with direct customer feedback, it is simple and uncomplicated, with a clean, unobstructed field of view. The fourplex design has long been prized by hunters around the world for the way the heavier lines center your eye quickly on the target...yet we've made no compromises on precision, with 0.125 MOA thick center crosshairs that allow precise shot placement on the smallest target—even at extended distances.

The Nightforce Forceplex™ is available in illuminated and non-illuminated versions, depending upon the SHV™ riflescope you choose. It is superb in low-light environments, and will serve you well on any game, from the dense forests of North America to the vast plains of Africa.

Reticle subtensions

A	5.00 MOA
B	0.75 MOA
C	0.125 MOA
D	43.50 MOA

- Created specifically for Nightforce second focal plane SHV™ riflescopes
- Excels in virtually any hunting situation and environment
- Extremely fast and responsive when quick shots are required, yet allows highly precise shot placement on small targets at long ranges



The illuminated center crosshairs provide a precise aiming point at dawn, at dusk, and in other difficult light when black crosshairs can disappear against the dark body of an animal.

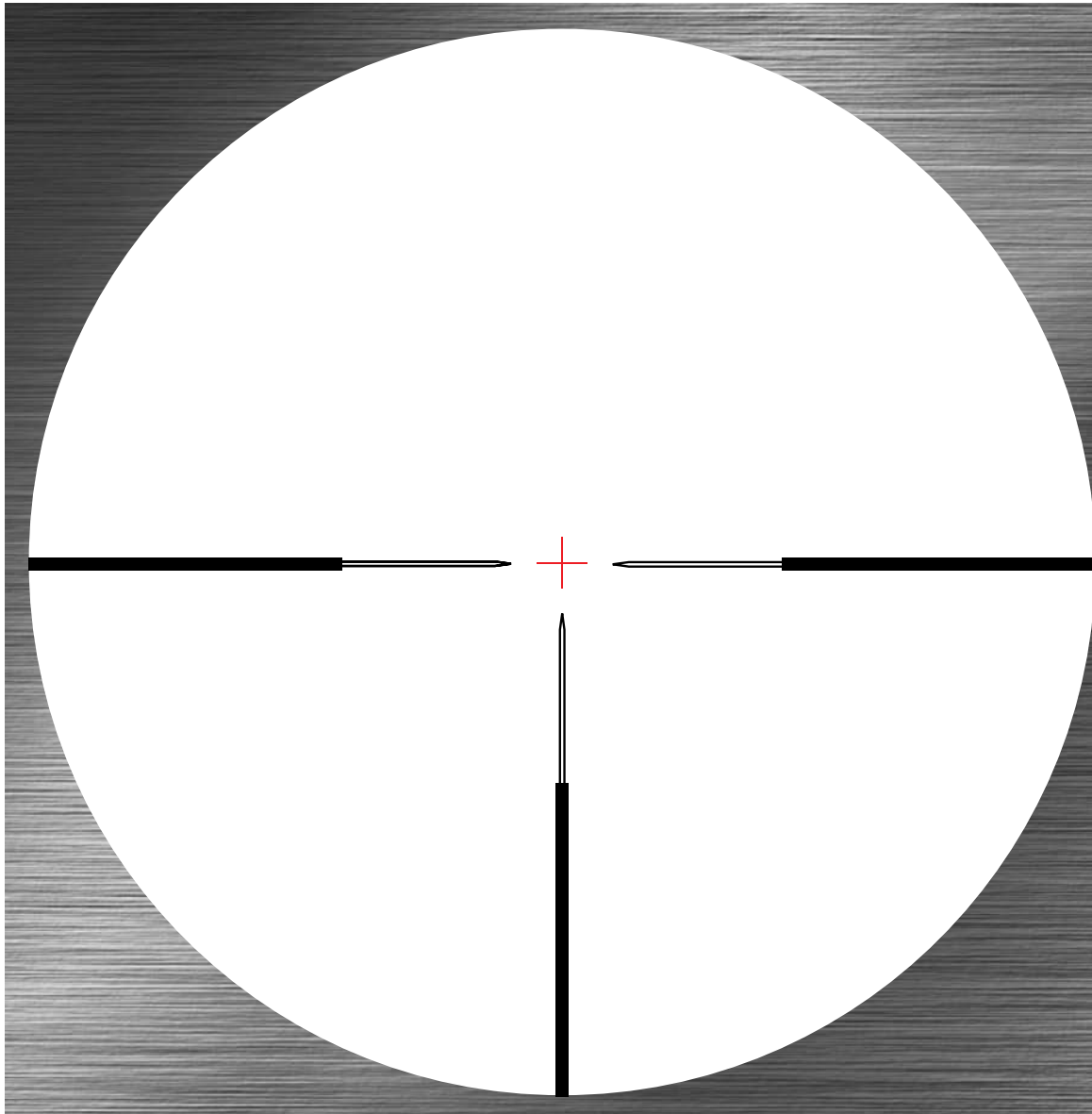
RETICLEIHR™



Available in:

Nightforce 1-4x and 2.5-10x NXS™ riflescopes

Exceptionally fast, providing quick target acquisition
Equally effective on dangerous game in tight quarters
and on smaller targets at longer ranges



Red indicates illuminated portion of reticle

Applications:

General hunting
General shooting

Above: Brice Folden, host of Wild TV's popular Flatliner series, with a fine 53" kudu taken with his 2.5-10 x 32 NXS™ Compact. Brice traveled from New Zealand to Canada, on to London and finally to Johannesburg, and reported that in spite of "delicate" handling by the airlines, point of impact had not moved at all. "Nightforce scopes are the finest I've ever hunted with," Brice said.

RETICLEIHR™

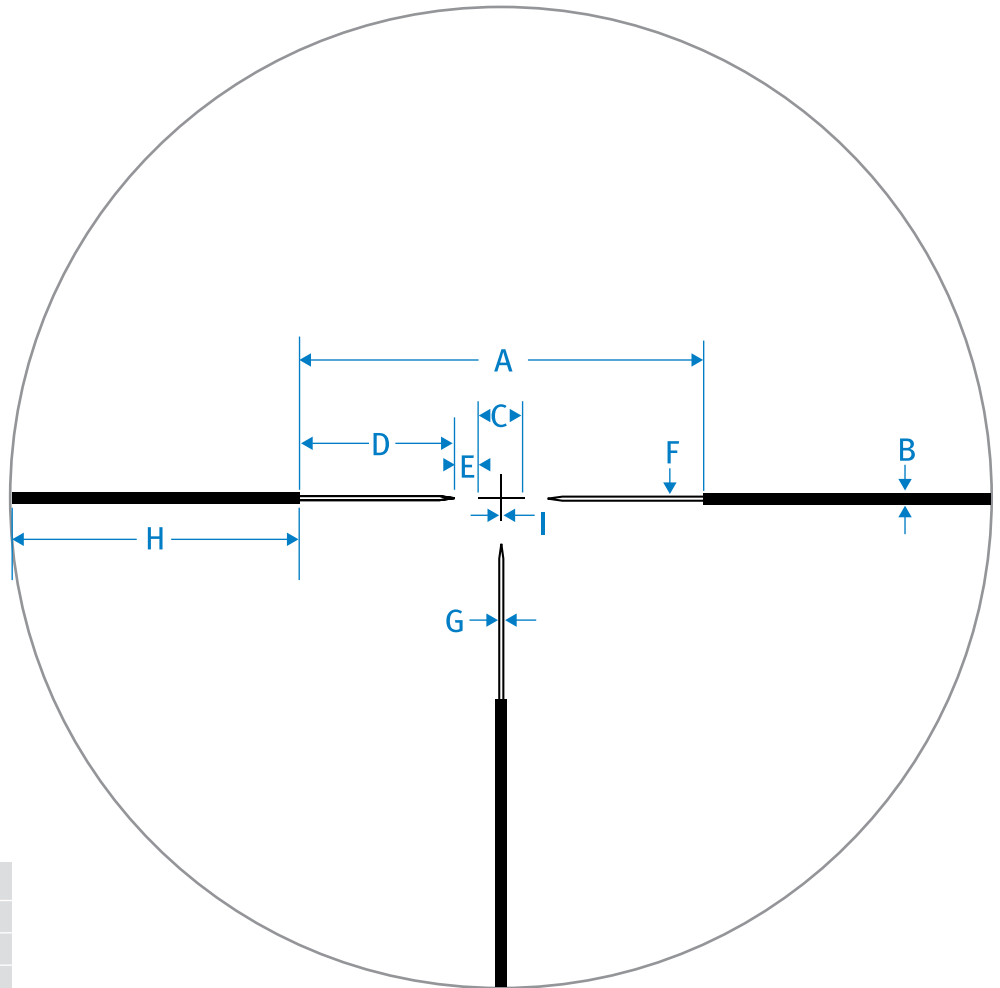
IHR™ stands for International Hunting Reticle (some would say Improved Hunting Reticle), with good reason. Most “hunting” reticles on the market are designed to work at either long ranges or short distances—but not both—limiting their applications and putting the big game hunter at a disadvantage. For the pursuer of dangerous game, a reticle that will not perform quickly at close ranges can have serious ramifications.

The IHR™ is ideal for dangerous game at close quarters. Substantial posts at the 3, 6 and 9 o'clock positions provide lightning-fast target acquisition, and its simple design provides a full, uncluttered view of charging or running game.

Conversely, when a smaller target presents itself at a substantial distance, the floating center crosshair provides a precise aim point, while still providing holdoff reference if needed. Adjustable illumination aids in accurate shot placement under adverse lighting conditions.

Armed with an IHR™, the hunter will be equally comfortable in the thick bush of Africa, the vast plains of the American heartland, and the rugged mountains of Asia. It is International in application and performance both.

- Floating center crosshair provides fast and precise aim point
- Uncluttered design provides full view of target
- 3, 6 and 9 o'clock posts aid in instant target acquisition
- Applicable to virtually any hunting environment



Reticle subtensions

	2.5-10X	1-4X
A	52 MOA / 15.13 MILS	138 MOA / 40.14 MILS
B	1.5 MOA / 0.44 MILS	4 MOA / 1.16 MILS
C	6 MOA / 1.75 MILS	16 MOA / 4.66 MILS
D	20 MOA / 5.82 MILS	53 MOA / 15.42 MILS
E	3 MOA / 0.87 MILS	8 MOA / 2.33 MILS
F	0.1875 MOA / 0.06 MILS	0.70 MOA / 0.20 MILS
G	0.75 MOA / 0.22 MILS	2 MOA / 0.58 MILS
H	37 MOA / 10.76 MILS	87.5 MOA / 25.45 MILS
I	0.18 MOA / 0.52 MILS	0.60 MOA / 0.18 MILS

Peter Moore, editor of the UK's Shooting Sports magazine, with a fine roebuck taken with a 2.5-10 x 32 NXS Compact. "Last hour of daylight," Peter said. "The field of view and low light performance are impressive, the reticle crisp and clear, plus the scope is nice and compact."

Please note: Sound suppressors are both ethical and legal for hunting use in the UK.





NIGHTFORCE®

Reticles

Mil-CF2

Mil-CF2D

Available in:

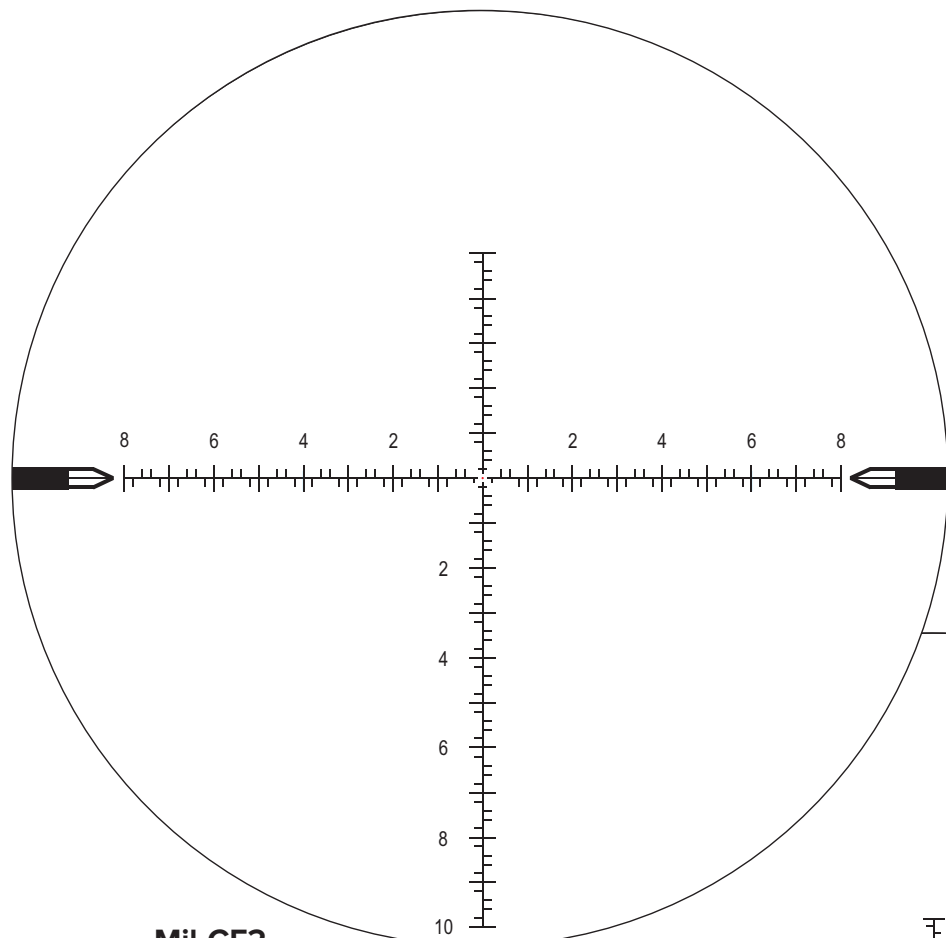
NX8 2.5-20x50 F2

NX8 4-32x50 F2

Floating center-dot
for precise aiming point

0.2 MRAD subtensions
for fast and precise holds

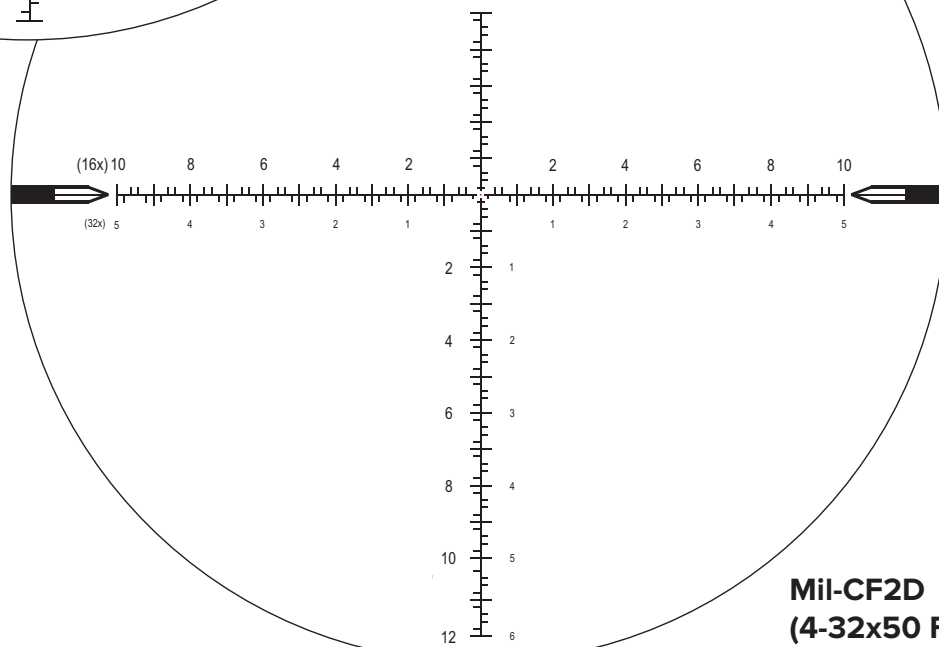
Mil-CF2D features dual
scale subtensions for use
at 32x and 16x



**Mil-CF2
(2.5-20x50 F2)**

Applications:

- Long-Range Hunting
- Varmint Hunting
- Law Enforcement
- General Shooting



**Mil-CF2D
(4-32x50 F2)**

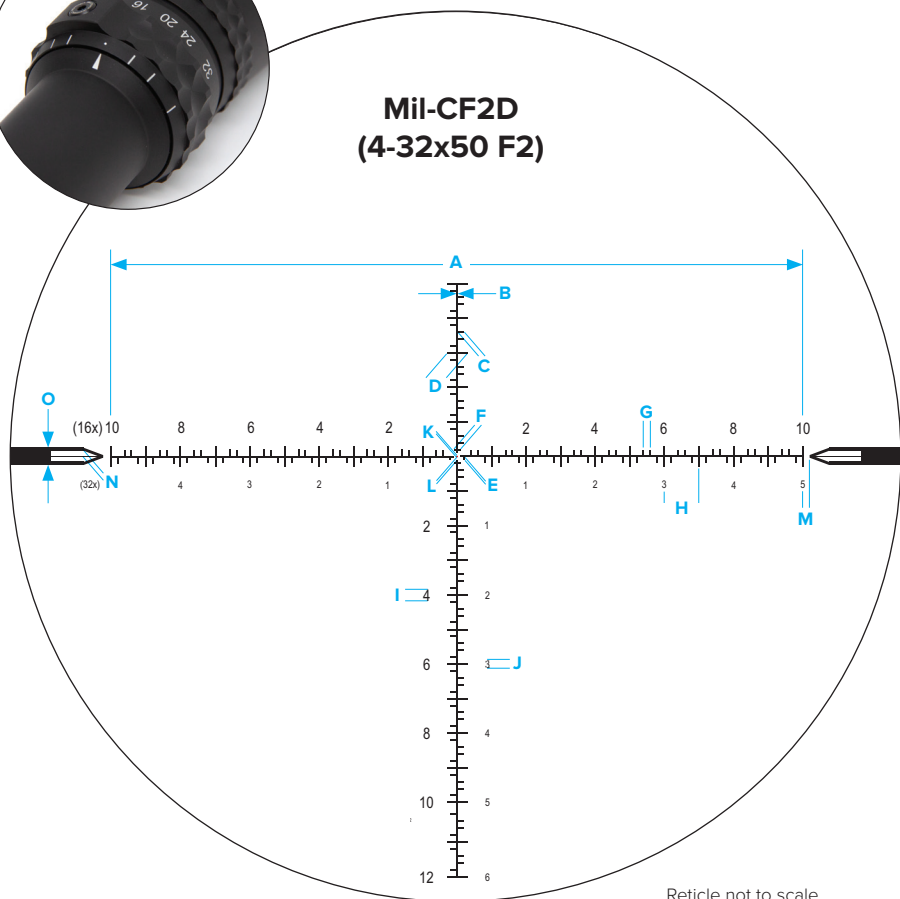
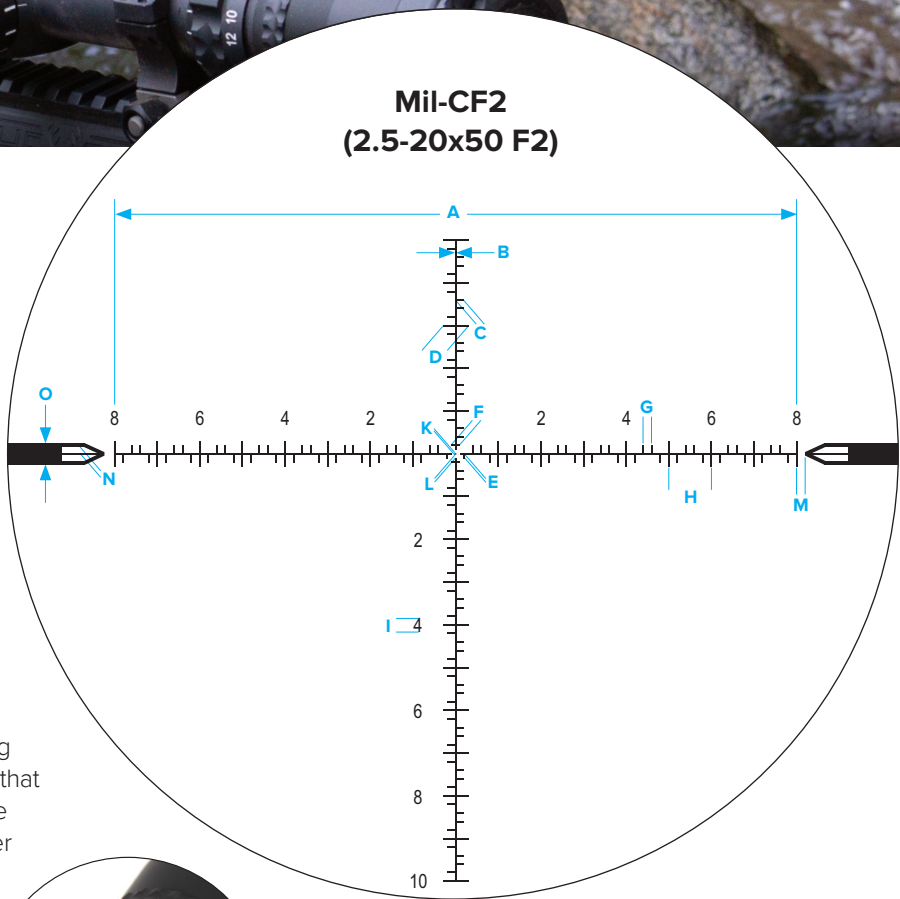


Reticles

Mil-CF2 / Mil-CF2D

The Mil-CF2 and Mil-CF2D were adapted from the First Focal Plane Mil-C reticle with additional features to make them more useful to long-range hunters and shooters who prefer Second Focal Plane. The 0.05 MRAD floating center dot, 0.2 MRAD subtensions, and numbers at every other Mil-Radian ensure fast reference whether shooting in the center or holding for elevation or wind. A reticle scale that nearly fills the field of view and finer line widths provide a clear view of the target anywhere in the reticle. The Mil-CF2D, available only in the 4-32x50 F2, is marked with a dual reticle scale for correct subtensions at 16x and 32x. The power change ring of the scope is marked with a small, calibrated dot that corresponds to the 16x reticle scale. This allows the user to choose between maximum detail or a larger field of view without sacrificing the ability to hold for wind or elevation.

Measured @	Mil-CF2	Mil-CF2D	
	20x	16x	32x
A	16	20	10
B	0.029	0.029	0.015
C	0.2	0.2	0.1
D	0.6	0.6	0.3
E	0.1	0.1	0.05
F	0.2	0.2	0.1
G	0.2	0.2	0.1
H	1.0	1.0	0.5
I	0.34	0.34	0.17
J	N/A	0.23	0.12
K	0.05	0.05	0.025
L	0.1	0.1	0.05
M	0.2	0.2	0.1
N	0.25	0.25	0.13
O	0.5	0.5	0.25



Reticle not to scale

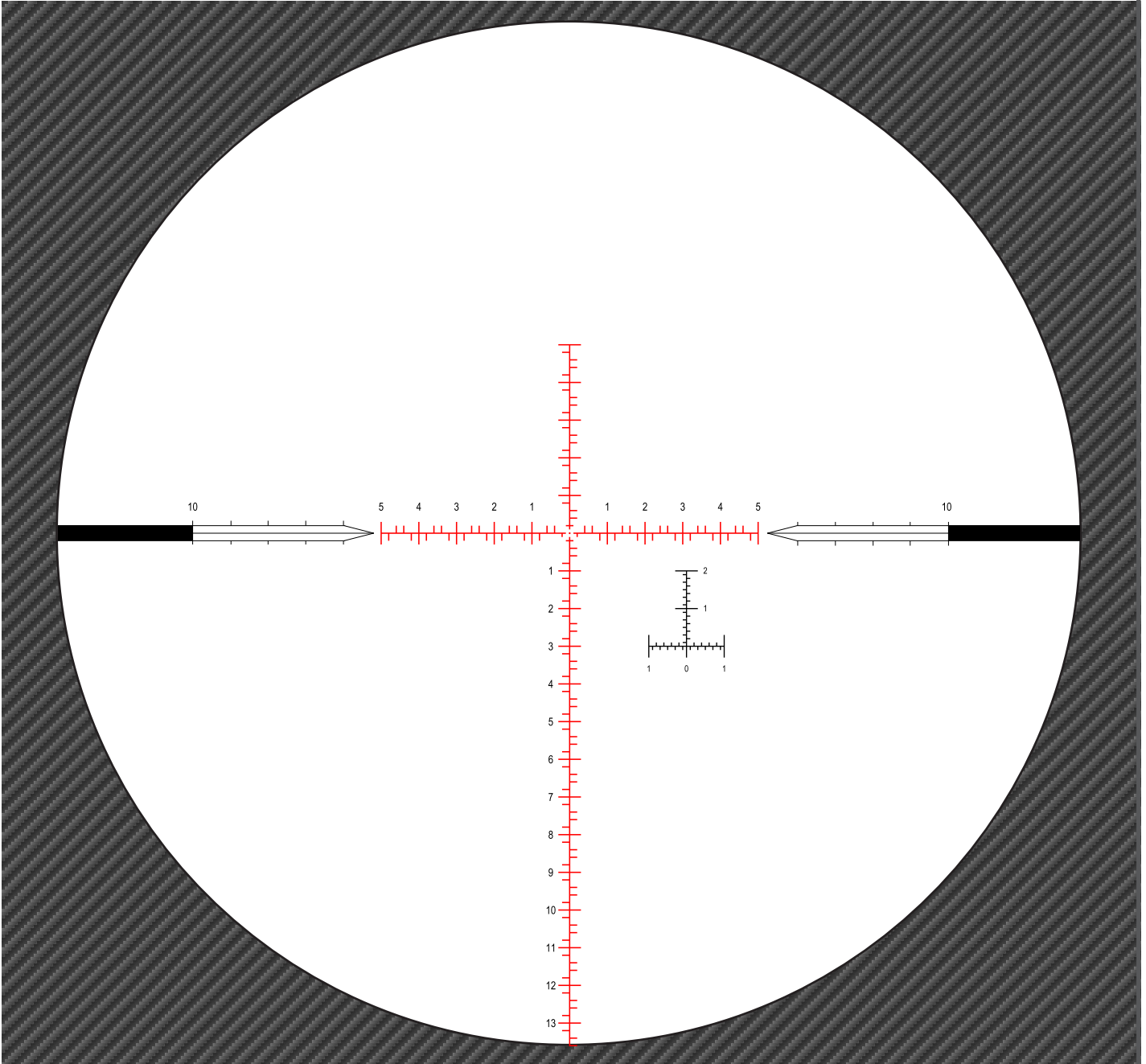


RETICLE MIL-C™

First Focal Plane

Available in:
ATACR™ 5-25x56F1

Designed for precision rifle competition
Exceptionally fast, intuitive, and precise
Unique inverted "T" Mil-Radian ranging scale



The Mil-C™ elevation scale (below center) extends beyond the field of view.

Red indicates illuminated portion of reticle.

Applications:
Competition
Long-range Hunting
Field/Tactical

RETICLE MIL-C™

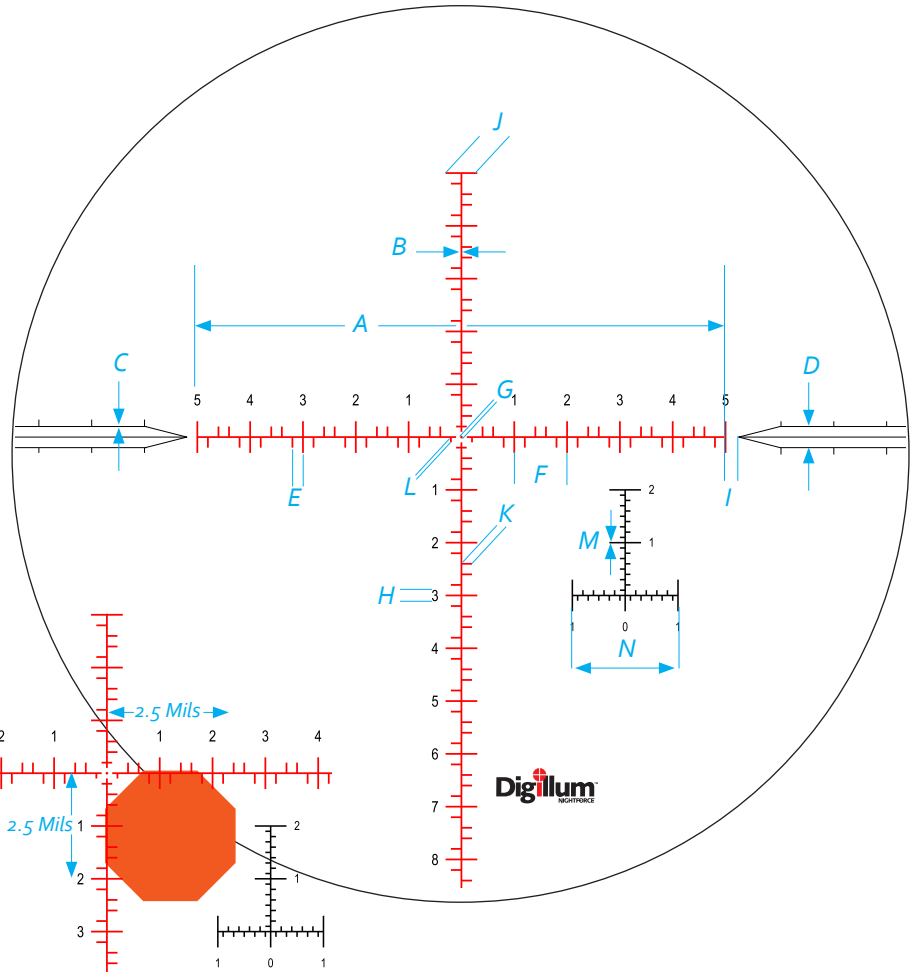
Designed to meet the needs of today's Precision Rifle Series competitor, the MIL-C™ reticle allows for fast and accurate shots on target.

The MIL-C™ has a simple center dot for a fine aiming point, while the main lines feature .2 Mil-Radian holds. Each whole Mil-Radian is numbered for fast reference under even stressful conditions. The MIL-C™ features the inverted "T" Mil-Radian ranging scale made famous in our MIL-R™ reticle. This allows for easy and logical estimations as low as .05 Mil-Radians if needed.

This reticle was designed for the competitive and field shooter, and is certain to give a competitive edge to anyone who uses it.

The MIL-C™ is available in the ATACR™ 5-25x F1 rifle scope.

- Available in Nightforce ATACR™ 5-25x56 F1 riflescopes
- Allows accurate hold offs and precise first-shot placement
- Excellent for range estimation
- Digillum™ illumination standard



Reticle Subtenions

A	10 mil
B	.033 mil
C	.033 mil
D	.4 mil
E	.2 mil
F	1 mil
G	.05 mil
H	.2 mil
I	.2 mil
J	.6 mil
K	.2 mil
L	.1 mil
M	.029 mil
N	2 mil

Range estimation

The Nightforce MIL-C™ reticle can provide you with an accurate distance to your target, when the size of the target is known, by utilizing one of the the following Mil relation formulas:

Target Size in Inches ÷ Image Size Measured in Mils in Reticle x 27.77 = Distance in Yards

Target Size in Inches ÷ Image Size Measured in Mils in Reticle x 25.4 = Distance in Meters

Target Size in Centimeters ÷ Image Size Measured in Mils in Reticle x 10.93 = Distance in Yards

Target Size in Centimeters ÷ Image Size Measured in Mils in Reticle x 10 = Distance in Meters

For example, a standard stop sign measures 30" tall x 30" wide. Knowing the size of the target, in this case, a stop sign, and applying the correct formula above, you will be able to accurately calculate the distance to your target.

1. Known target size = 30"

2. Image size = 2.5 Mils. To measure image size of target in Mils, refer to the reticle diagram above.

3. Divide target size (30") by image size in reticle (2.5) = 12

4. For distance in yards, multiply 12 x 27.77 (constant) = 333.24 yards to target.

5. For distance in meters, multiply 12 x 25.4 (constant) = 304.8 meters to target.

Your ability to accurately measure your target in your reticle does take some practice to become proficient.

RETICLEMIL-R™

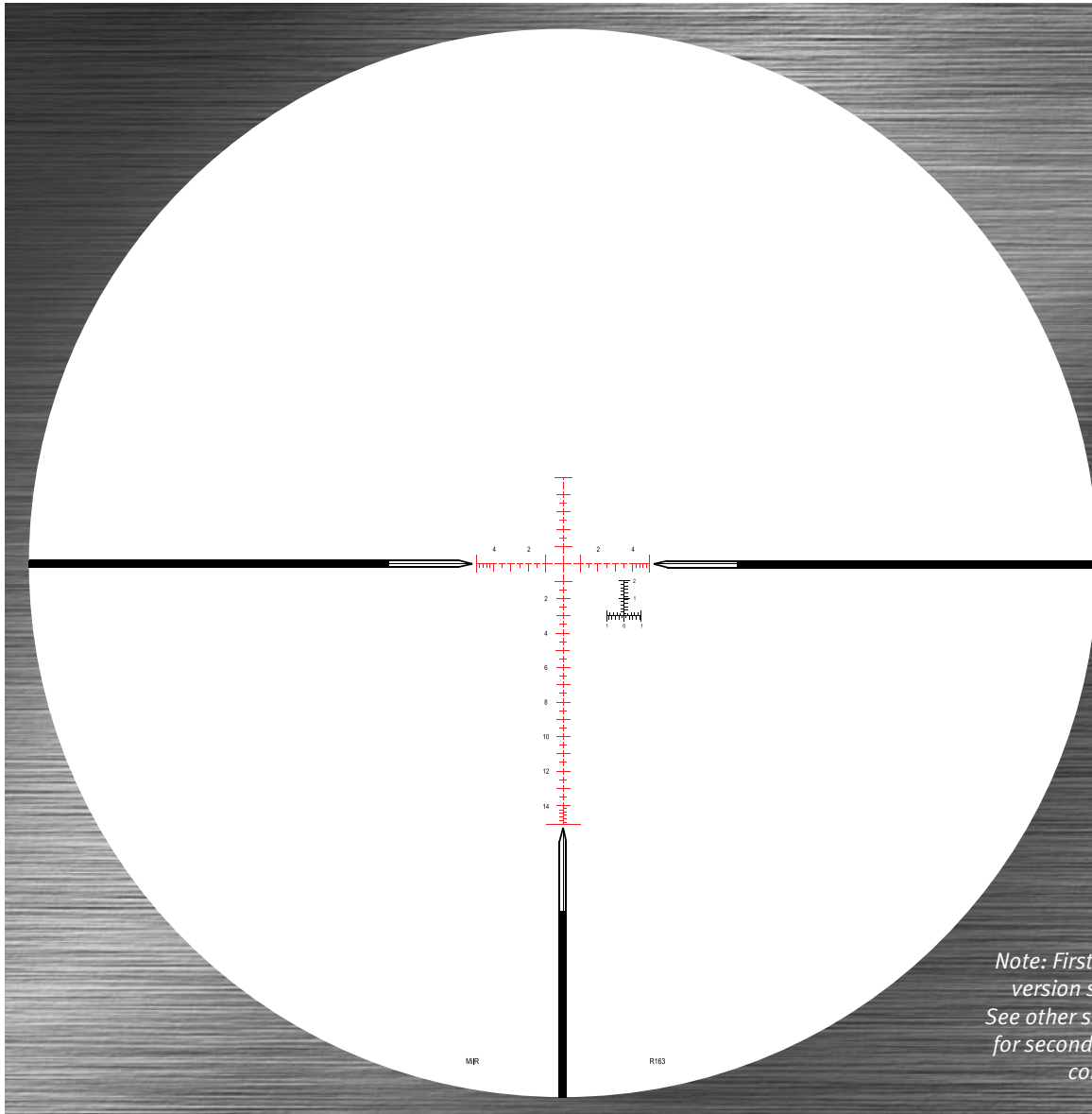
First and Second Focal Plane



Available in:

- B.E.A.S.T.™ 5-25 x 56 F1
- ATACR™ 16x F1, 25x F1, 25x SFP
- NXS™ 10x, 15x, 22x, 32x
- SHV™ 14x F1

The smartest Mil-Radian reticle on the market
Exceptionally fast and intuitive
Unique inverted “T” Mil-Radian ranging scale



Note: First focal plane version shown here. See other side of sheet for second focal plane configuration.

Red indicates illuminated portion of reticle. The SHV™ 4-14x50 F1 Mil-R™ reticle features center only illumination.

- Applications:**
- Field tactical
 - Long-range hunting
 - Varmint shooting

RETICLE MIL-R™

Precise Mil-Radian ranging, accurate hold offs, on-the-money first-shot placement and quick follow up shots on either still or moving targets are the results with the Nightforce MIL-R™ reticle.

Everything about it is designed to be fast and intuitive. The clean, uncluttered floating center crosshair is precisely 1.0 Mil, supported by whole, half, .2 and .1 Mil-Radian graduations.

Numerical indicators provide quick reference to Mil-Radian spacing under stressful conditions. The spaces between the whole Mil-Radian graduations provide accurate ranging and hold off references in much finer, more precise increments than coarser, less intelligent reticles. The shooter can also easily distinguish between whole and half Mils.

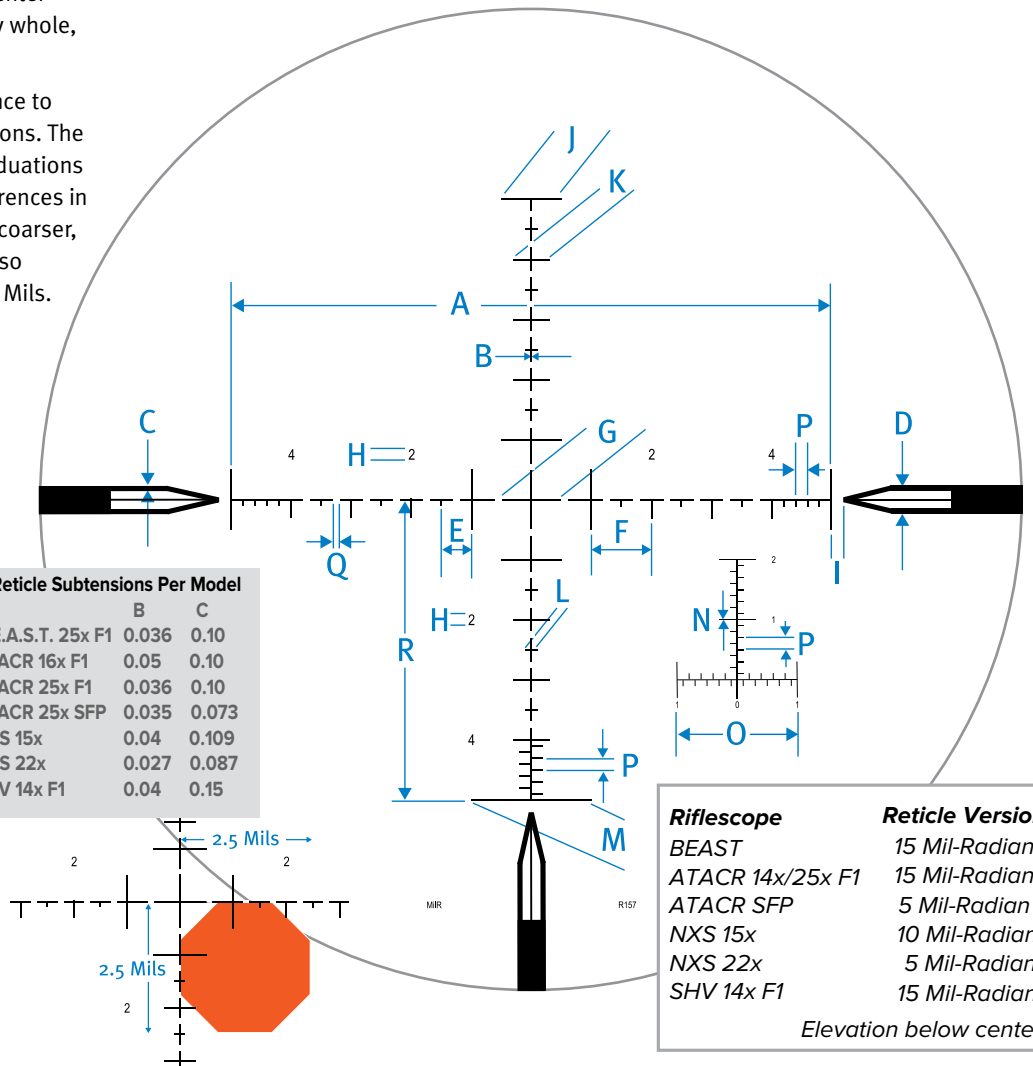
Unique to the MIL-R™ is the inverted “T” Mil-Radian ranging scale. This allows the shooter to easily and logically reference zero to whole Mil-Radians in .2 and .1 Mil-Radian markings.

It's fast, precise and smart. Almost as smart as the shooter who uses it.

- Available in Nightforce ATACR™, B.E.A.S.T.™, NXS™, and select SHV™ model riflescopes
- Allows accurate hold offs and precise first-shot placement
- Excellent for range estimation
- Illumination standard

Reticle subtensions	
A	10 MIL / 34.38 MOA
B	See Subtension Chart
C	See Subtension Chart
D	0.5 MIL / 1.72 MOA
E	0.5 MIL / 1.72 MOA
F	1.0 MIL / 3.44 MOA
G	1.0 MIL / 3.44 MOA
H (F1)	0.28 MIL / 0.96 MOA
H	0.189 MIL / 0.65 MOA
I	0.2 MIL / 0.69 MOA
J	1.0 MIL / 3.44 MOA
K (F1)	0.8 MIL / 2.75 MOA
K	0.6 MIL / 2.07 MOA
L (F1)	0.4 MIL / 0.14 MOA
L	0.2 MIL / 0.69 MOA
M	2.0 MIL / 6.90 MOA
N (F1)	0.029 MIL / 0.10 MOA
N	0.016 MIL / 0.06 MOA
O	2.0 MIL / 6.90 MOA
P	0.2 MIL / 0.69 MOA
Q	0.1 MIL / 0.34 MOA
R	See Version Chart

Reticle Subtensions Per Model		
	B	C
B.E.A.S.T. 25x F1	0.036	0.10
ATACR 16x F1	0.05	0.10
ATACR 25x F1	0.036	0.10
ATACR 25x SFP	0.035	0.073
NXS 15x	0.04	0.109
NXS 22x	0.027	0.087
SHV 14x F1	0.04	0.15



Range estimation

The Nightforce MIL-R™ reticle can provide you with an accurate distance to your target, when the size of the target is known, by utilizing one of the the following Mil relation formulas:

$$\text{Target Size in Inches} \div \text{Image Size Measured in Mils in Reticle} \times 27.77 = \text{Distance in Yards}$$

$$\text{Target Size in Inches} \div \text{Image Size Measured in Mils in Reticle} \times 25.4 = \text{Distance in Meters}$$

$$\text{Target Size in Centimeters} \div \text{Image Size Measured in Mils in Reticle} \times 10.93 = \text{Distance in Yards}$$

$$\text{Target Size in Centimeters} \div \text{Image Size Measured in Mils in Reticle} \times 10 = \text{Distance in Meters}$$

For example, a standard stop sign measures 30" tall x 30" wide. Knowing the size of the target, in this case, a stop sign, and applying the correct formula above, you will be able to accurately calculate the distance to your target.

1. Known target size = 30"
2. Image size = 2.5 Mils. To measure image size of target in Mils, refer to the reticle diagram above.
3. Divide target size (30") by image size in reticle (2.5) = 12
4. For distance in yards, multiply 12 x 27.77 (constant) = 333.24 yards to target.
5. For distance in meters, multiply 12 x 25.4 (constant) = 304.8 meters to target.

Your ability to accurately measure your target in your reticle does take some practice to become proficient.

*As shown on other side of sheet

NIGHTFORCE®

Reticles

MOAR-CF2 MOAR-CF2D

Available in:

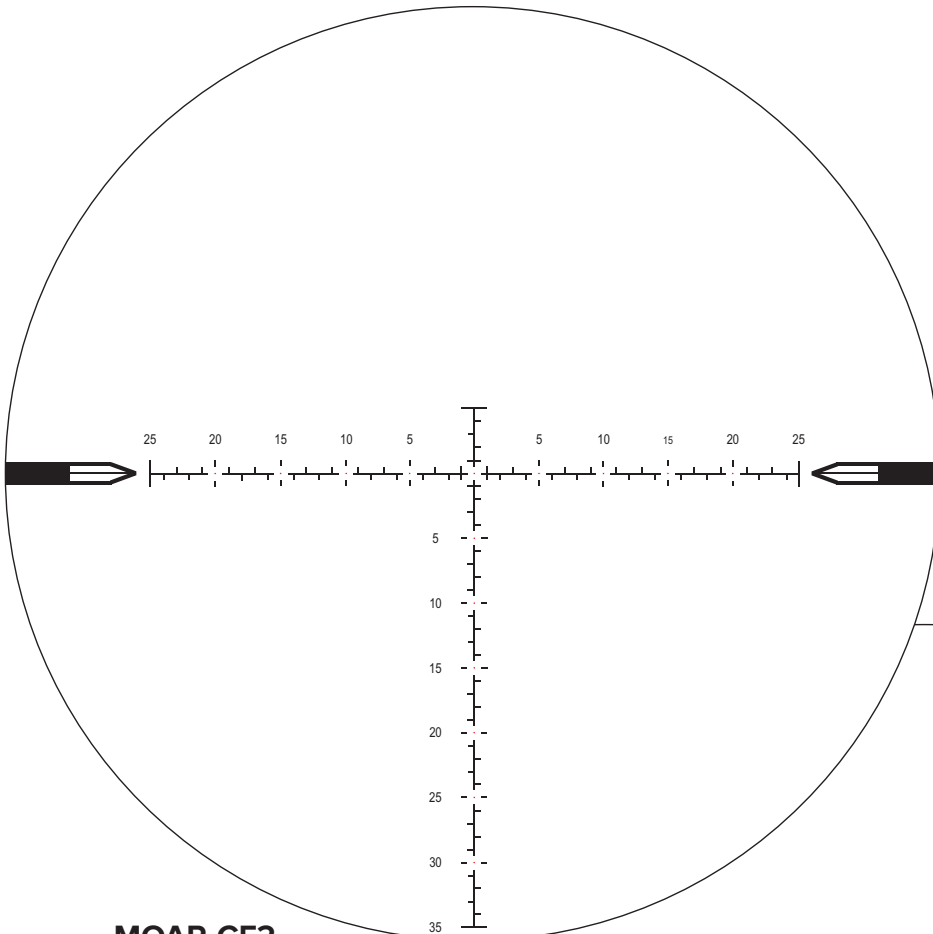
NX8 2.5-20x50 F2

NX8 4-32x50 F2

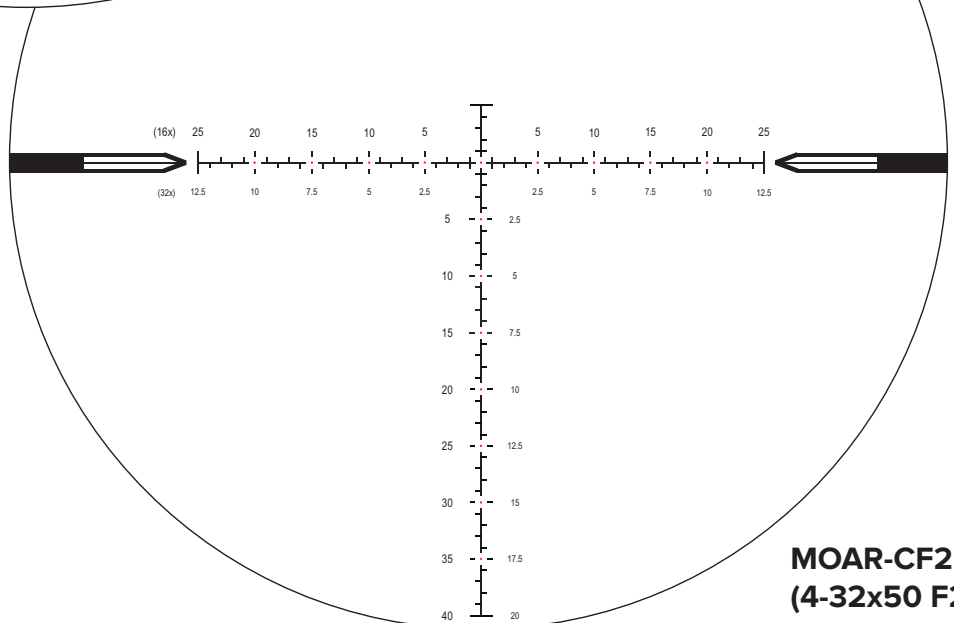
Floating center-dot
for precise aiming point

Fast and intuitive alternating
1 MOA subtensions

MOAR-CF2D features dual
scale subtensions for use
at 32x and 16x



**MOAR-CF2
(2.5-20x50 F2)**



**MOAR-CF2D
(4-32x50 F2)**

Applications:

- Long-Range Hunting
- Varmint Hunting
- Law Enforcement
- General Shooting

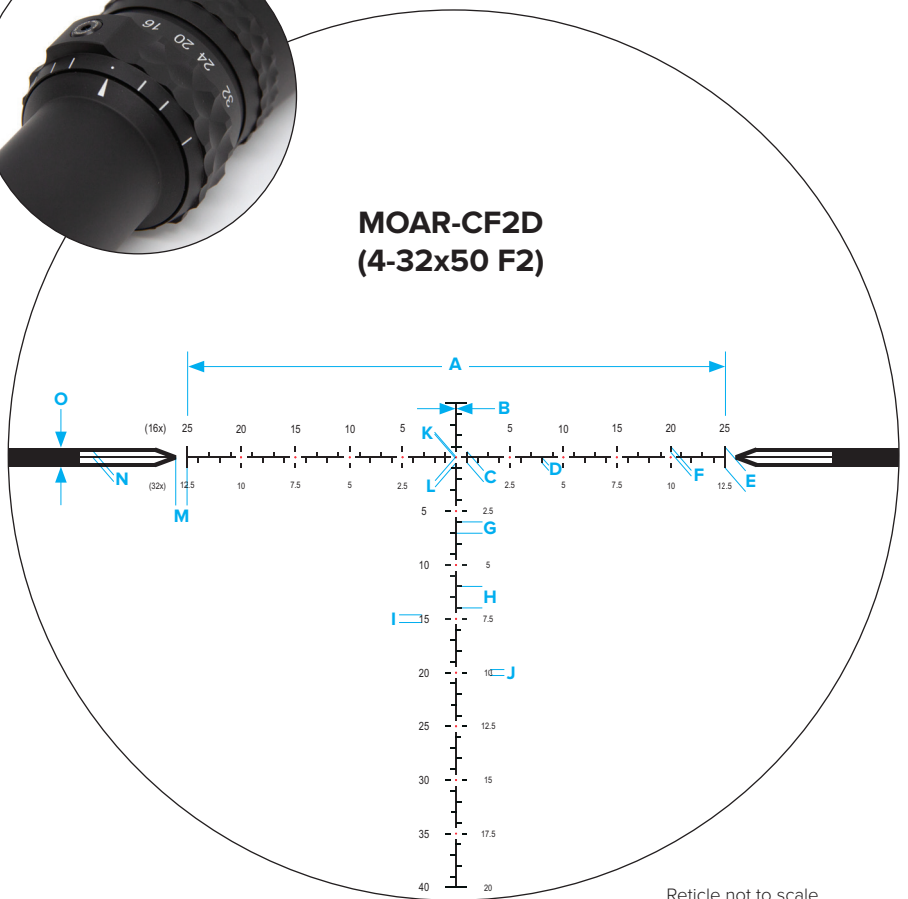
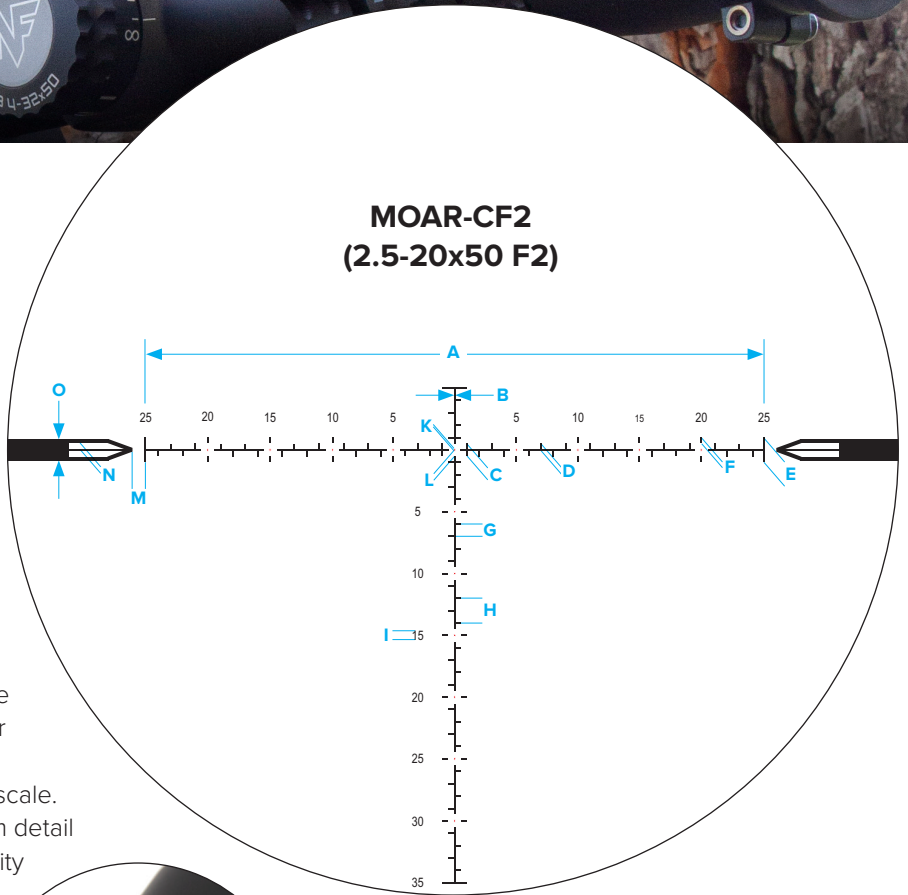


Reticles

MOAR-CF2 / MOAR-CF2D

A floating, center-dot aiming point and alternating reticle pattern provide the modern long-range hunter and shooter a fast and precise shooting experience. Both reticles feature a precise 0.2 MOA floating center-dot for aiming and an alternating reticle pattern where odd values are represented by up/left marks and even values are represented by down/right marks. Combined with major labels every 5-MOA, this reticle allows for fast and intuitive holds. The MOAR-CF2D, available only in the 4-32x50 F2, is marked with a dual reticle scale for correct subtensions at 16x and 32x. The power change ring of the scope is marked with a small, calibrated dot that corresponds to the 16x reticle scale. This allows the user to choose between maximum detail or a larger field of view without sacrificing the ability to hold for wind or elevation.

	MOAR-CF2		MOAR-CF2D	
Measured @	20x	16x	32x	
A	50	50	25	
B	0.095	0.095	.048	
C	1.0	1.0	0.5	
D	0.5	0.5	0.25	
E	2.0	2.0	1.0	
F	0.5	0.5	0.25	
G	1.0	1.0	0.5	
H	2.0	2.0	1.0	
I	0.75	0.75	0.38	
J	N/A	0.6	0.3	
K	0.2	0.2	0.1	
L	0.5	0.5	0.25	
M	1.0	1.0	0.5	
N	0.86	0.86	0.43	
O	1.72	1.72	0.86	



Reticle not to scale

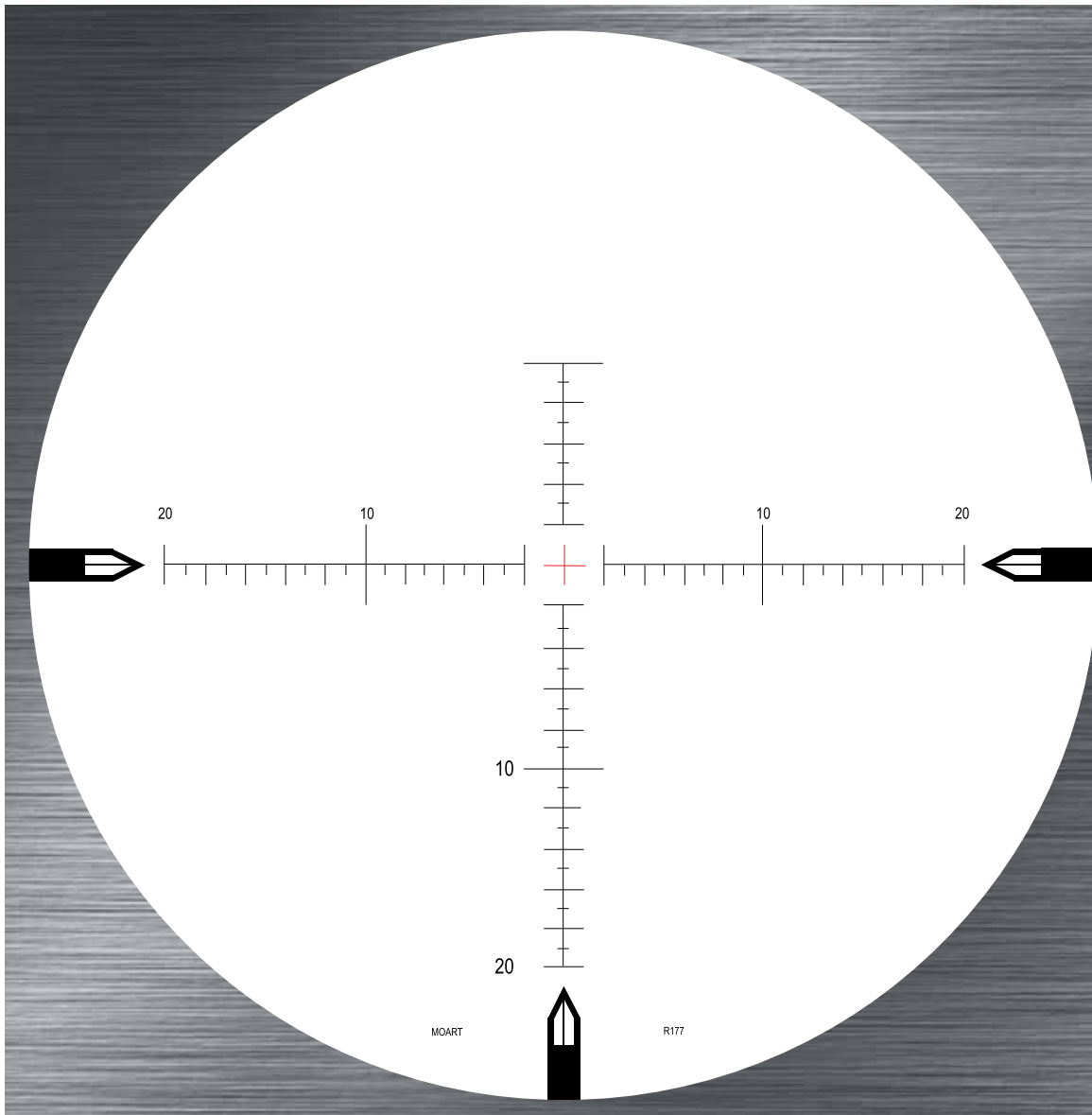
RETICLEMOAR-T™



Available in:

Nightforce NXS™5.5-22x, 8-32x and ATACR™5-25x56 riflescopes

Fine line thickness allows pinpoint precision at extreme ranges
Especially effective on smaller targets
Floating center crosshair provides precise aiming point
One-MOA elevation and windage spacings



Red indicates illuminated portion of reticle

Applications:

Extreme long-range shooting
Long-range hunting and shooting
Varmint shooting

Above: The MOAR-T™ was developed for maximum precision at extreme distances, whether on the range or in the field.

RETICLE MOAR-T™

Nightforce customers asked for a finer version of our extremely popular MOAR™ reticle, for even more precision at extreme ranges, and our MOAR-T™ provides just that.

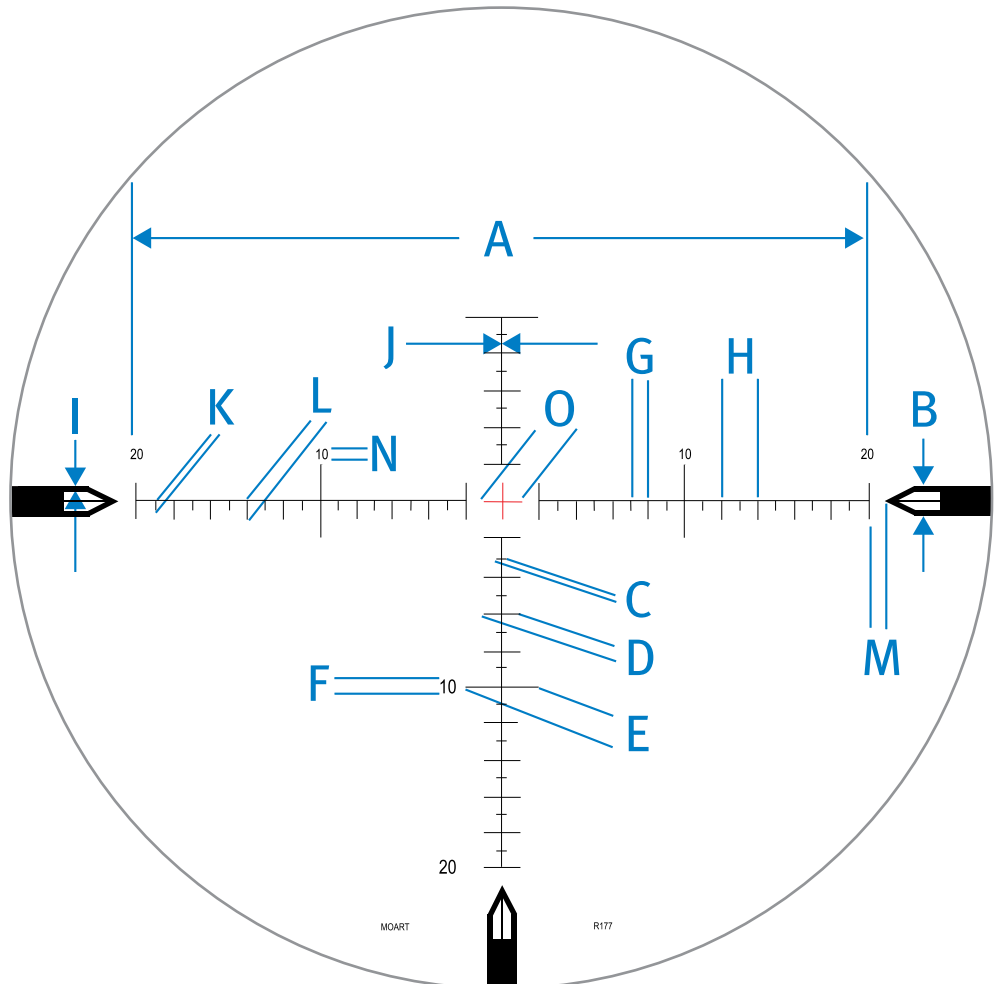
An illuminated floating center crosshair two MOA wide and two MOA tall provides a precise aiming point—especially on smaller targets. One-MOA elevation and windage spacings provide for more accurate rangefinding and hold-offs than ordinary reticles having coarser markings.

The Nightforce MOAR-T™ is marked with 10 and 20 MOA elevation and windage indicators, making it extremely fast and easy to view under field conditions.

The MOAR-T™ design is more highly intuitive than less well-thought-out MOA reticles. Shooters will also find the 3, 6 and 9 o'clock posts to be an excellent asset for greater speed and target acquisition.

If your shooting requires extreme precision on the smallest targets at maximum distances, the MOAR-T™ is the ideal choice.

- The finest, most precise MOA-based reticle we offer for our NXS™ and ATACR™ riflescopes
- Maximizes performance of Nightforce long-range riflescopes
- Will not obscure small targets at extreme distances



Reticle subtensions in MOA

	NXS™ 22x, 32x	ATACR™ 25x
A	40.0	40.0
B	1.7188	1.7188
C	0.5	0.5
D	2.0	2.0
E	4.0	4.0
F	0.75	0.65
G	1.0	1.0
H	2.0	2.0
I	0.3	0.25
J	.0625	0.05
K	0.5	0.5
L	1.0	1.0
M	1.0	1.0
N	0.6	0.5
O	2.0	2.0

Ranging usage

Riflescope Power setting

5.5-22x 22x

8-32x 22x*

5-25x ATACR™ 25x

* Signified by an "R" on power zoom ring

The elevation and windage marks can be used for ranging objects when the size of the target is known. Bracket the target from top to bottom or side to side within the marks. Distance to target can then be determined using this formula:

Target size in inches ÷ MOA × 100 = range in yards.

Please note that accurate rangefinding with the MOAR™ reticle can only be accomplished at the power settings shown above.



ATACR™ 5-25x56

RETICLEMOAR™

Second Focal Plane



Available in:

ATACR™ 5-25x56

Nightforce NXS™ 10x, 15x, 22x, 32x

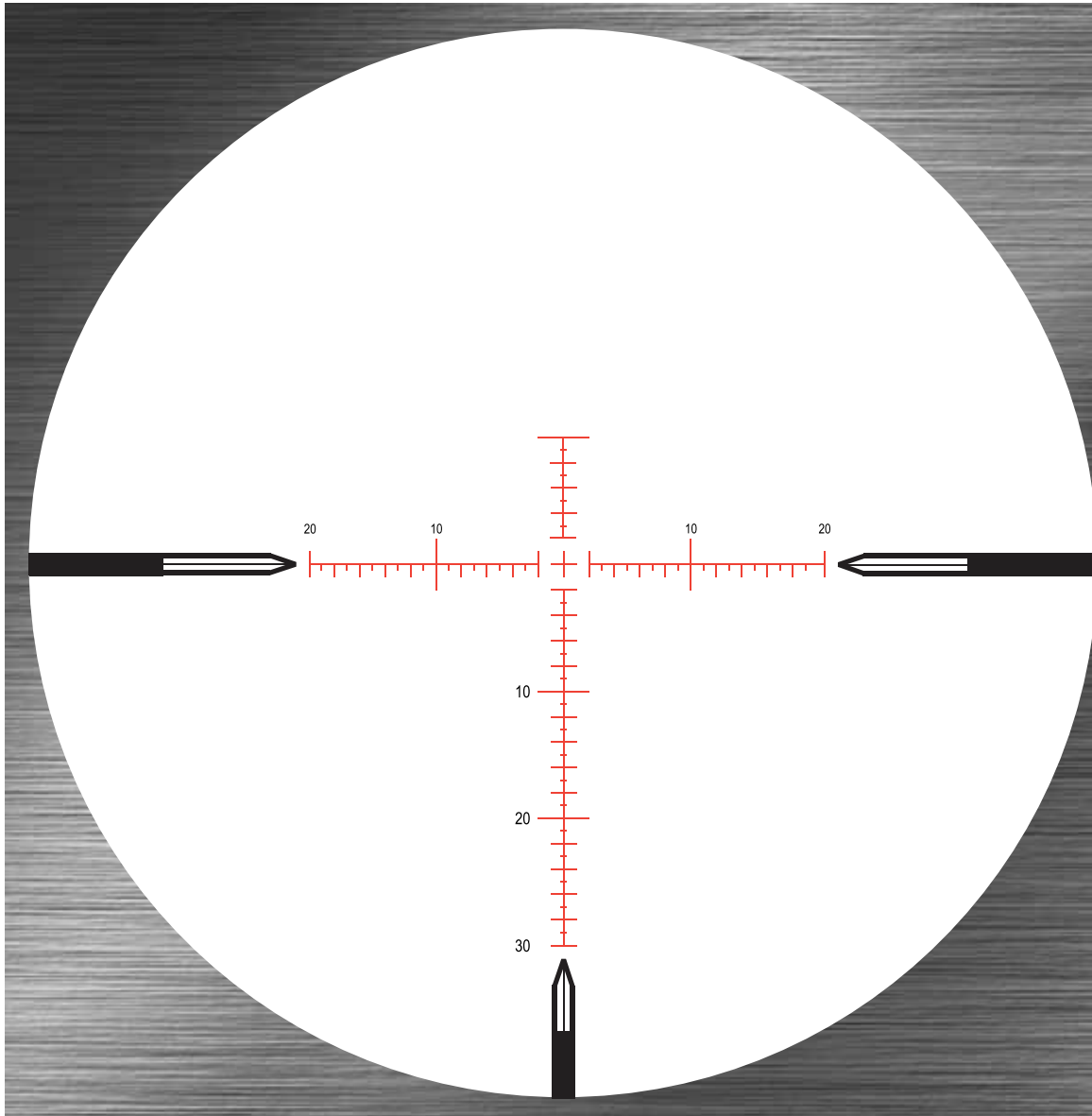
SHV™ 10x, 14x, 20x

Extremely fast and easy to view

Floating center crosshair provides precise aiming point

One-MOA elevation and windage spacings

A major advancement in precision long-range shooting



Second focal plane MOAR™ reticles are offered with either a 20 MOA or 30 MOA scale below center.

20 MOA scale: NXS 22x, 32x; SHV 20x; ATACR 25x

30 MOA scale: NXS 10x, 15x; SHV 10x, 14x

Applications:

Field tactical

Varmint hunting

Long-range hunting

Tactical competition

All-around use

RETICLEMOAR™

Second Focal Plane

The Nightforce MOAR™ reticle is a major advancement in precision shooting. A floating center crosshair two MOA wide and two MOA tall provides a precise aiming point—especially on smaller targets at longer ranges. One-MOA elevation and windage spacings provide for more accurate rangefinding and hold-offs compared to ordinary reticles with coarser markings.

The Nightforce MOAR™ has thicker line subtensions than our traditional reticles, and is marked with 10, 20 and 30 MOA elevation indicators (10 and 20 MOA windage indicators), making it extremely fast and easy to view under field conditions.

The MOAR™ design is more intuitive, easier to see in low light and more visible against dark backgrounds and in shadows than other MOA reticles. Shooters will also find the 3, 6 and 9 o'clock posts to be an excellent asset for greater speed and target acquisition.

The MOAR™ has established new levels of precision and ease of use for the long-range shooter.

- Improved visibility in low light
- Suitable for a wide range of shooting disciplines
- Illumination standard on most models (SHV - if equipped, only the center cross is illuminated)

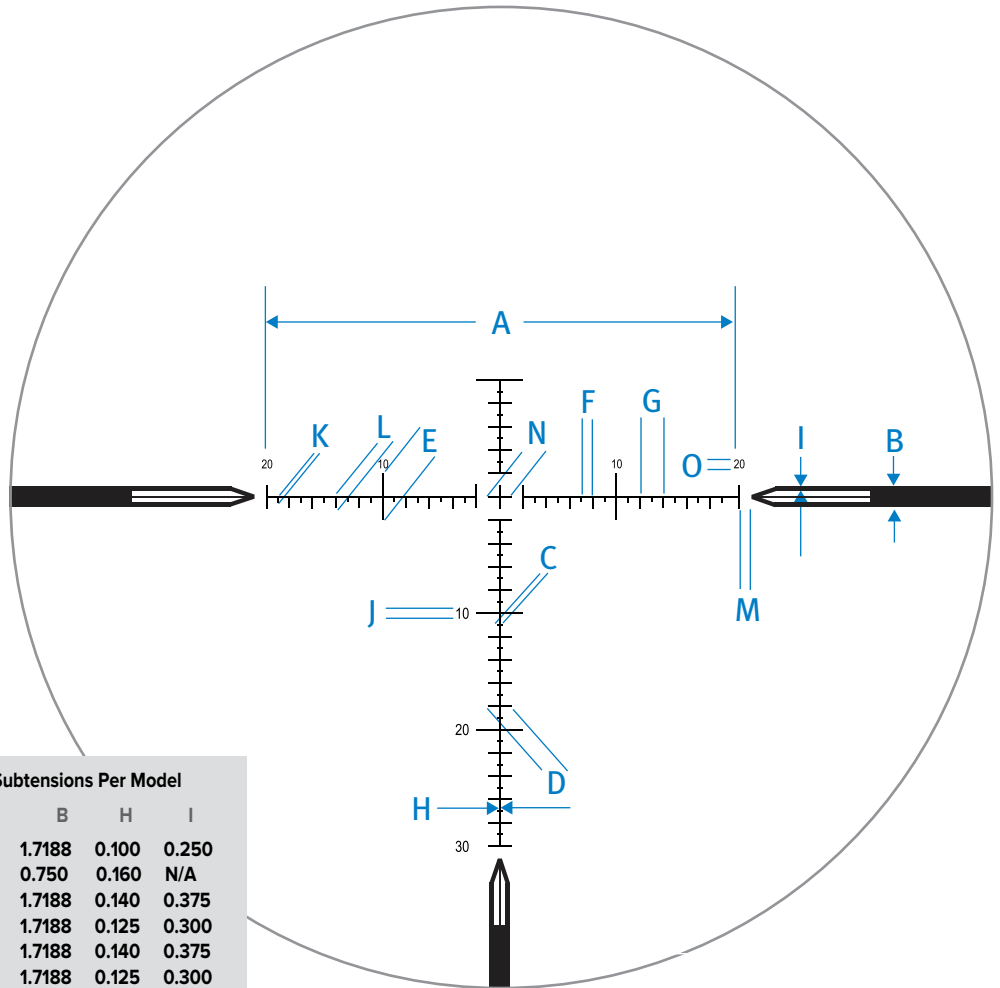


Image above shows the MOAR™ reticle used in 3.5-15x NXS riflescopes. It has 30 MOA below the centerline.

Reticle subtensions	
A	40 MOA All versions
B	See Chart
C	0.5 MOA
D	2.0 MOA
E	4.0 MOA
F	1.0 MOA
G	2.0 MOA
H	See Chart
I	See Chart
J	1.0 MOA
K	0.5 MOA
L	1.0 MOA
M	1.0 MOA
N	2.0 MOA
O	0.8 MOA

	Reticle Subtensions Per Model		
	B	H	I
ATACR 25x	1.7188	0.100	0.250
NXS 10x	0.750	0.160	N/A
NXS 15x	1.7188	0.140	0.375
NXS 22x	1.7188	0.125	0.300
SHV 14x	1.7188	0.140	0.375
SHV 20x	1.7188	0.125	0.300

Ranging usage	
Riflescope	Power setting
SHV/ATACR All	Maximum
NXS 32x	22x*
NXS 10x, 15x, 22x	Maximum

Signified by an "R" on power zoom ring

The elevation and windage marks can be used for ranging objects when the size of the target is known. Bracket the target from top to bottom or side to side within the marks. Distance to target can then be determined using this formula:

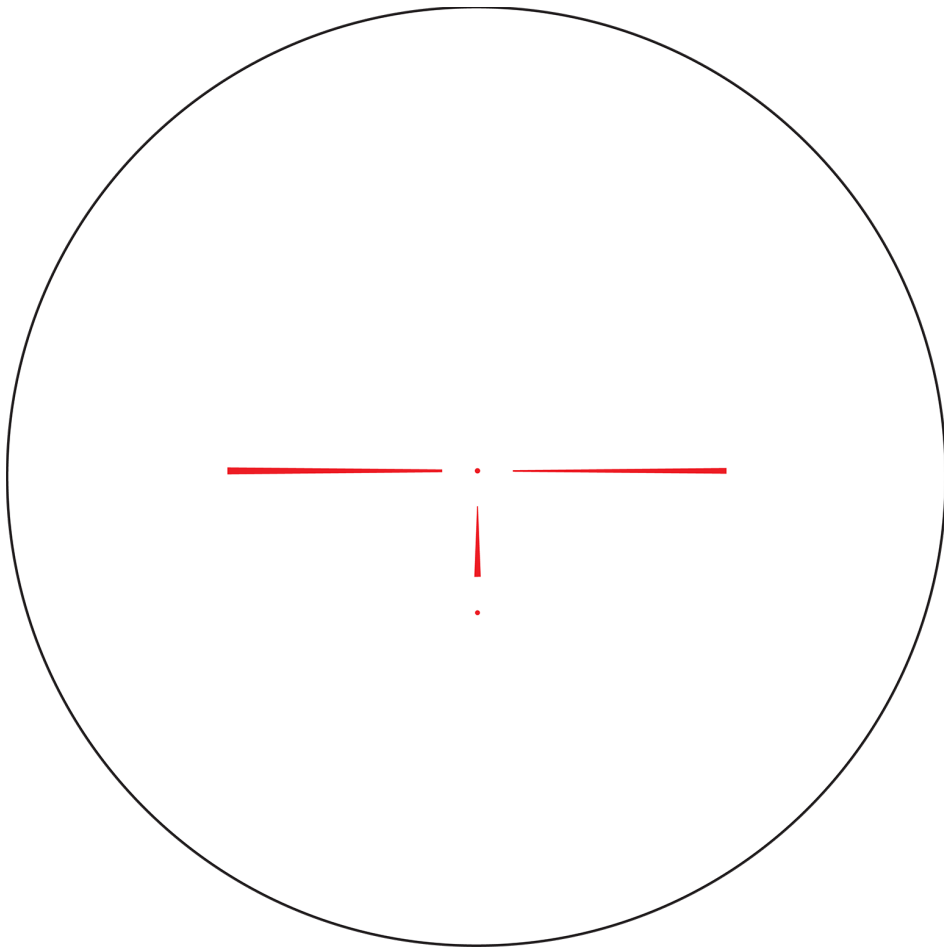
Target size in inches ÷ Image size (moa) x 95.5 = range in yards.
For field expedient ranging inside of 500 yards, a constant of 100 can be used in place of 95.5.

Please note that accurate rangefinding with the MOAR™ reticle can only be accomplished at the power settings shown above.

NP-2DD™

SKU: NP-2DD™

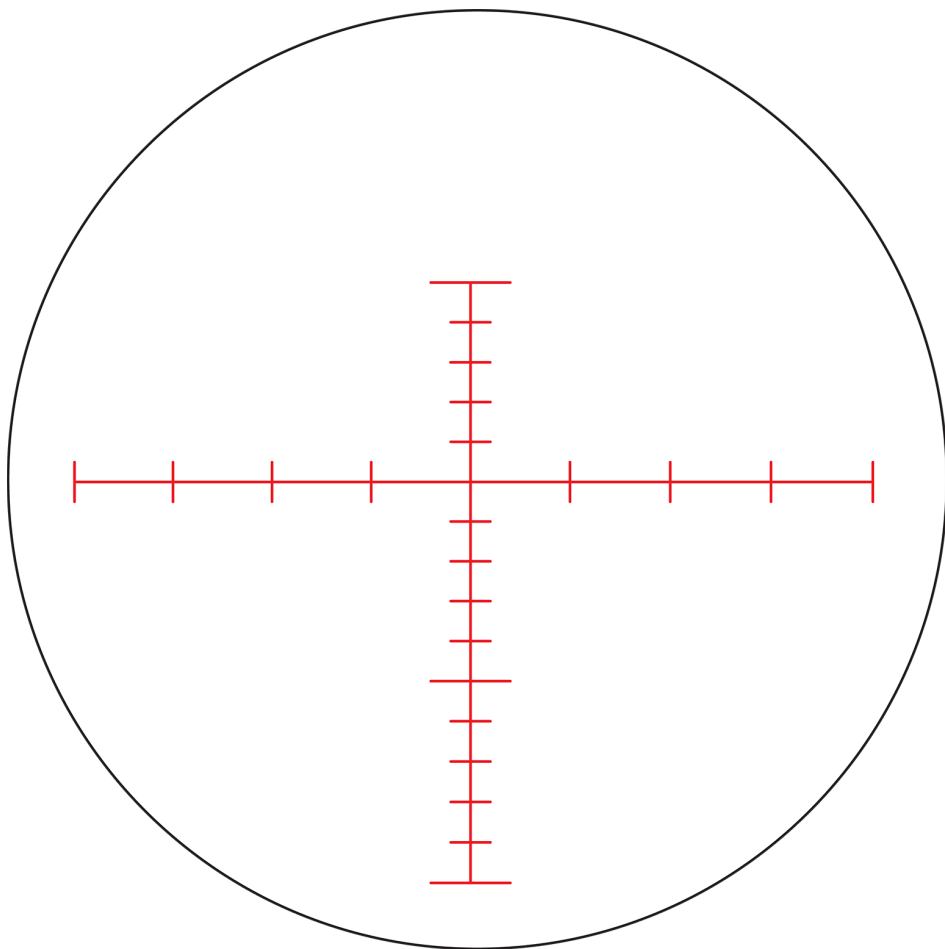
Unobstructed field of view and precise MOA reference markings serve the predator hunter and benchrest competitor equally well.



NP-R2™

SKU: NP-R2™

2 MOA elevation and 5 MOA windage increments allow for multiple zero and hold points along with accurate rangefinding. Excellent for long-range applications including big game hunting. NP-R2 reticles in Nightforce 5.5-22x NXS, 8-32x and 12-42x NXS and Benchrest models show 20 MOA scale below centerline (at left). In the 3.5-15x, an additional 10 MOA scale below center is indicated on the reticle.



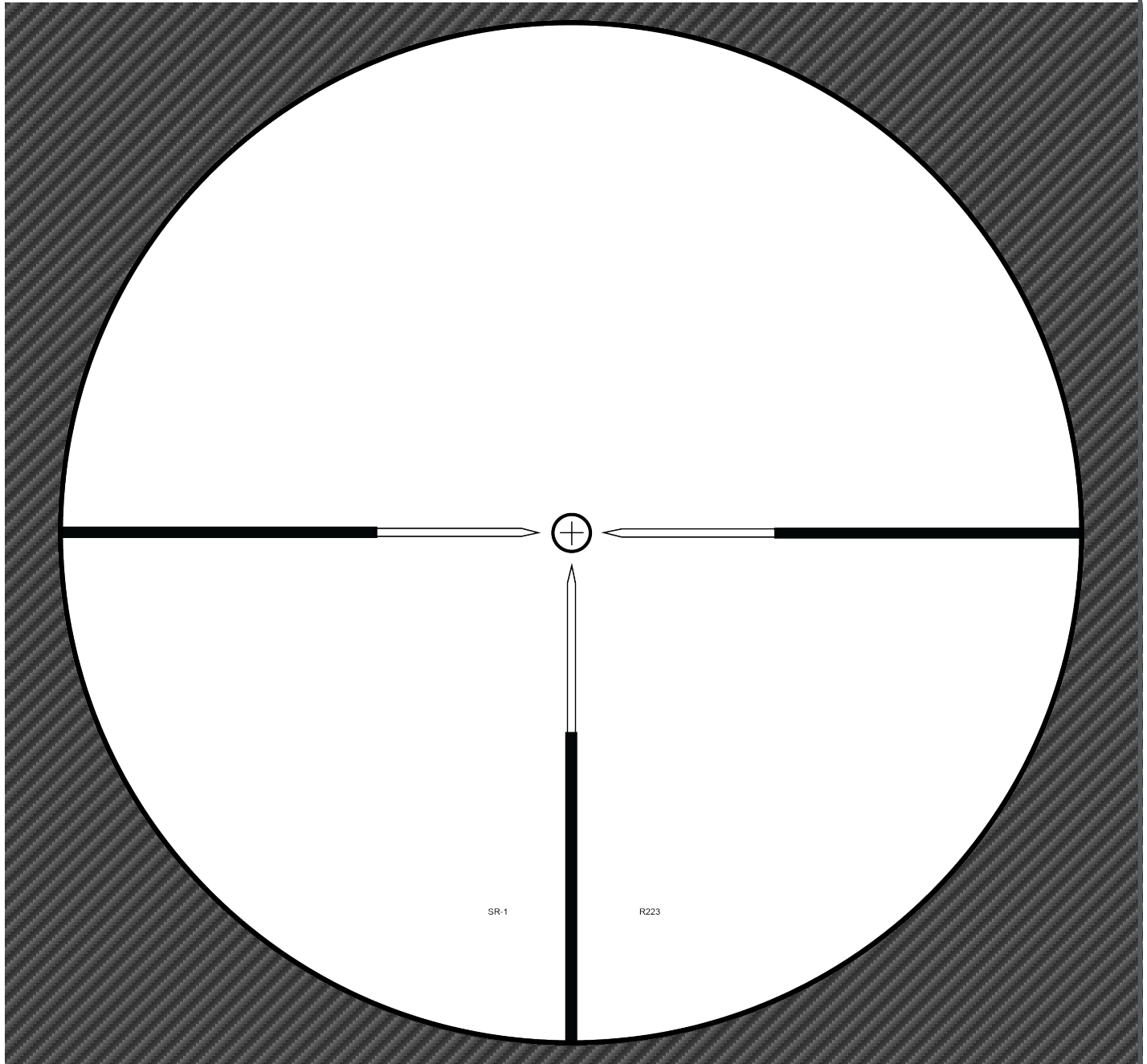


RETICLE SR-1™/SR-2™

Second Focal Plane

Available in:
Competition™ SR Fixed 4.5x24

Designed for service rifle competition



Applications:
Service Rifle Competition

RETICLE SR-1™/SR-2™

The Nightforce SR-1™ and SR-2™ reticles were designed for today's service rifle competition.

■ Available in Nightforce® Competition™ SR Fixed 4.5x24 rifle scope.

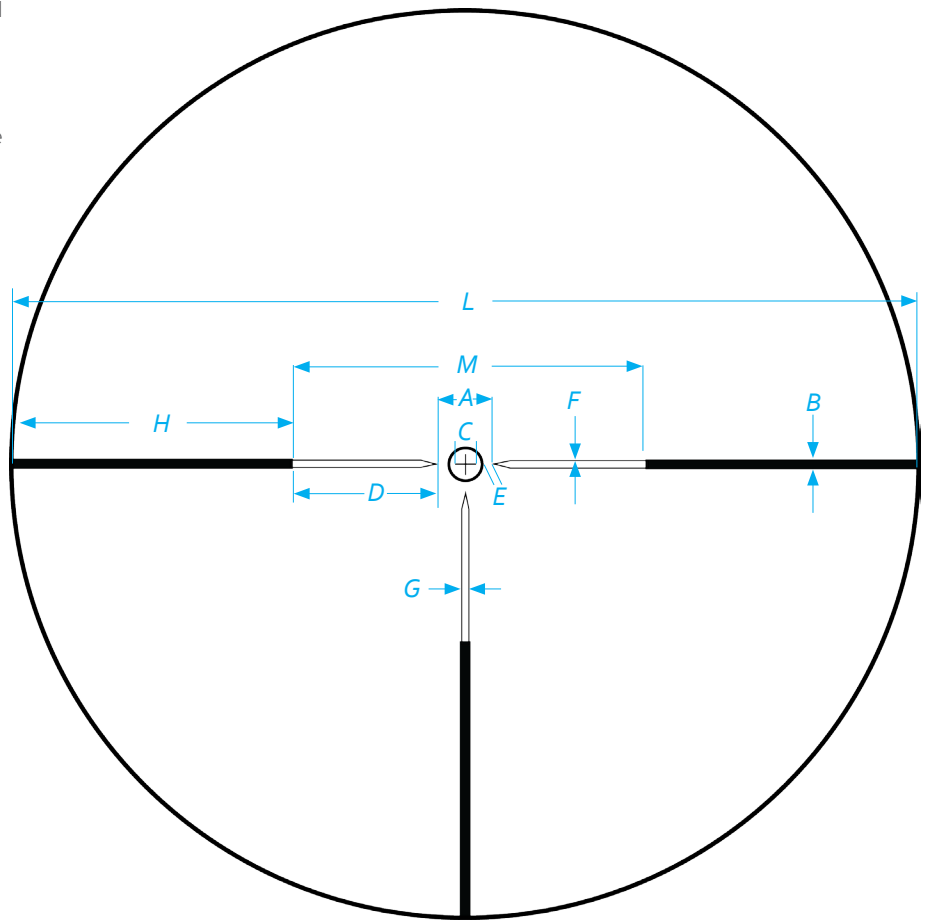
With bold main lines and a fine crosshair at center, they work well for both rapid and slow-fire strings.

Target holds and small corrections with the reticles are easily done with the crosshair and circle center section. Hollow bars on the main lines at center help the shooter index without obscuring the target.

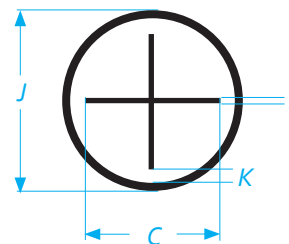
The SR-1 and SR-2 reticles are available in the Competition™ SR Fixed 4.5x24 rifle scope.

Reticle Subtensions

	SR-1	SR-2
A	22 MOA	22 MOA
B	3 MOA	3 MOA
C	8 MOA	6 MOA
D	40 MOA	40 MOA
E	5.0 MOA	6 MOA
F	.40 MOA	.40 MOA
G	1.5 MOA	1.5 MOA
H	82 MOA	82 MOA
I	.30 MOA	.30 MOA
J	12 MOA	10 MOA
K	1 MOA	1 MOA
L	266 MOA	266 MOA
M	102 MOA	102 MOA



(images not to scale)



Expanded view - reticle center

По вопросам продаж и поддержки обращайтесь:

Алматы (7273)495-231	Казань (843)206-01-48	Новокузнецк (3843)20-46-81	Смоленск (4812)29-41-54
Архангельск (8182)63-90-72	Калининград (4012)72-03-81	Новосибирск (383)227-86-73	Сочи (862)225-72-31
Астрахань (8512)99-46-04	Калуга (4842)92-23-67	Омск (3812)21-46-40	Ставрополь (8652)20-65-13
Барнаул (3852)73-04-60	Кемерово (3842)65-04-62	Орел (4862)44-53-42	Сургут (3462)77-98-35
Белгород (4722)40-23-64	Киров (8332)68-02-04	Оренбург (3532)37-68-04	Тверь (4822)63-31-35
Брянск (4832)59-03-52	Краснодар (861)203-40-90	Пенза (8412)22-31-16	Томск (3822)98-41-53
Владивосток (423)249-28-31	Красноярск (391)204-63-61	Пермь (342)205-81-47	Тула (4872)74-02-29
Волгоград (844)278-03-48	Курск (4712)77-13-04	Ростов-на-Дону (863)308-18-15	Тюмень (3452)66-21-18
Вологда (8172)26-41-59	Липецк (4742)52-20-81	Рязань (4912)46-61-64	Ульяновск (8422)24-23-59
Воронеж (473)204-51-73	Магнитогорск (3519)55-03-13	Самара (846)206-03-16	Уфа (347)229-48-12
Екатеринбург (343)384-55-89	Москва (495)268-04-70	Санкт-Петербург (812)309-46-40	Хабаровск (4212)92-98-04
Иваново (4932)77-34-06	Мурманск (8152)59-64-93	Саратов (845)249-38-78	Челябинск (351)202-03-61
Ижевск (3412)26-03-58	Набережные Челны (8552)20-53-41	Севастополь (8692)22-31-93	Череповец (8202)49-02-64
Иркутск (395)279-98-46	Нижний Новгород (831)429-08-12	Симферополь (3652)67-13-56	Ярославль (4852)69-52-93
Россия (495)268-04-70	Киргизия (996)312-96-26-47	Казахстан (7172)727-132	